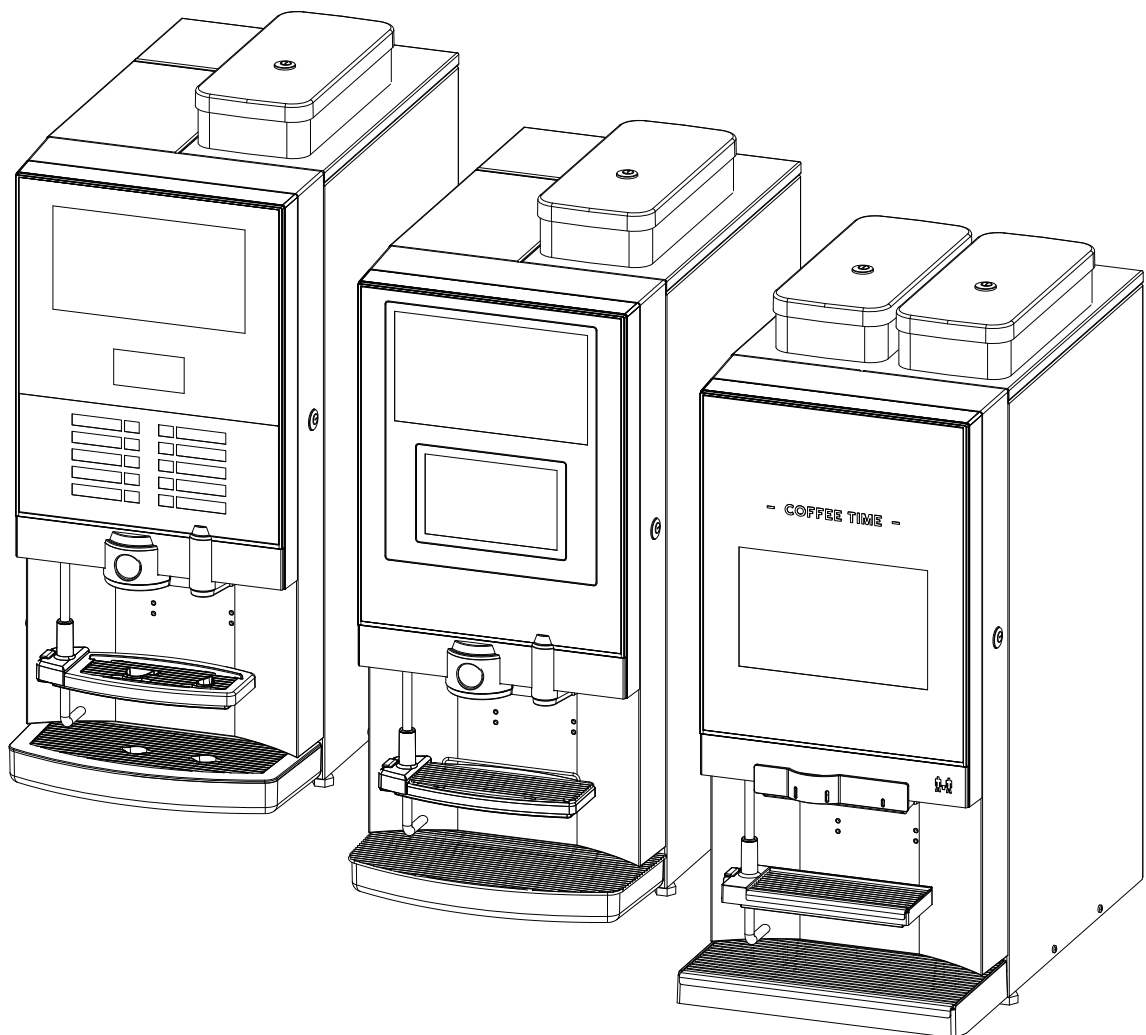


# Parts catalogue Espresso Medium





Parts catalogue Espresso Medium

Manufacturer: ETNA Coffee Equipment b.v.  
P.O. Box 146  
7000 AC Doetinchem  
The Netherlands

Distributor:

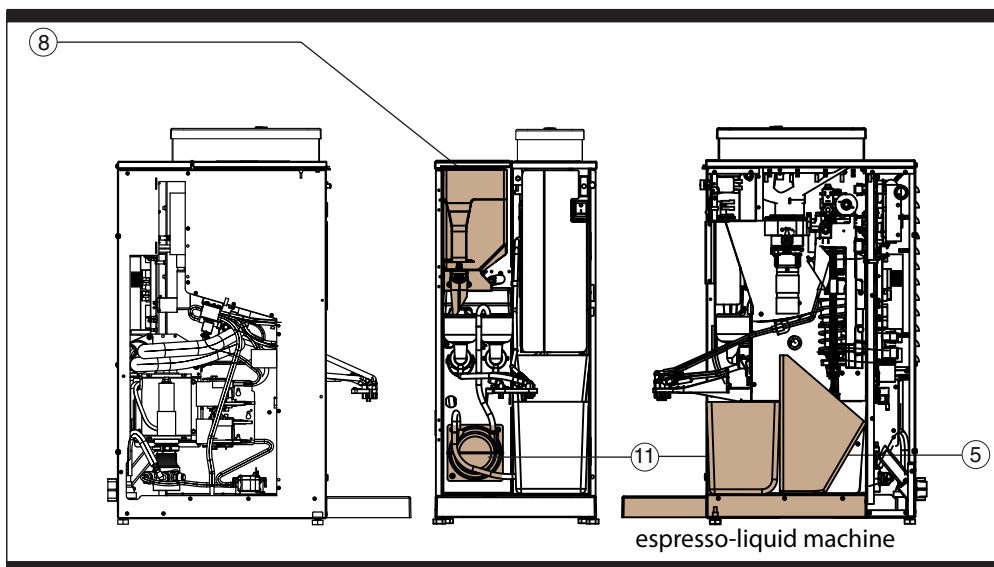
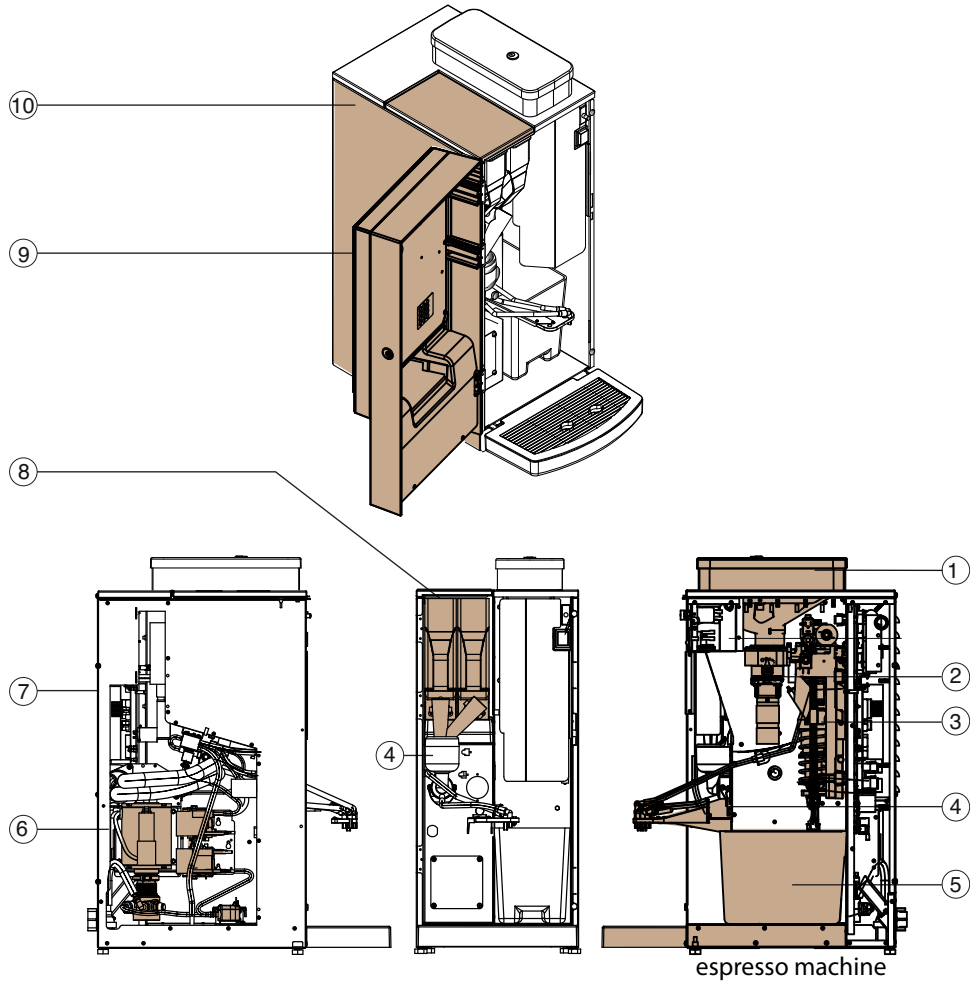
© ETNA Coffee Equipment b.v.

Articlecode:  
Status: Publish  
Revision: 39

## CONTENTS

1	System setup.....	4
2	DOOR.....	6
2.1	Door Mundo Medium.....	7
2.2	Door Dorado / Tucana medium.....	9
3	Mixer system.....	15
4	Dispense aera espresso.....	18
5	Pumps for liquid chocolate and coffee.....	20
5.1	Pump liquid chocolate.....	20
6	WATER SYSTEM.....	22
6.1	Water pump and valves espresso machine.....	22
6.2	Boiler espresso medium large.....	25
6.3	Boiler espresso medium 2 beans.....	26
7	Grinder.....	27
8	Bean container.....	31
9	INSTANT CONTAINERS.....	32
9.1	Layout instant canisters espresso medium.....	32
9.2	Instant canisters.....	33
10	Brewer espresso medium large.....	38
11	Extraction fan.....	42
12	Electronic parts.....	44
13	Wastebins and drip trays.....	47
13.1	Drip tray drains.....	49
14	Sheeting and chassis.....	51

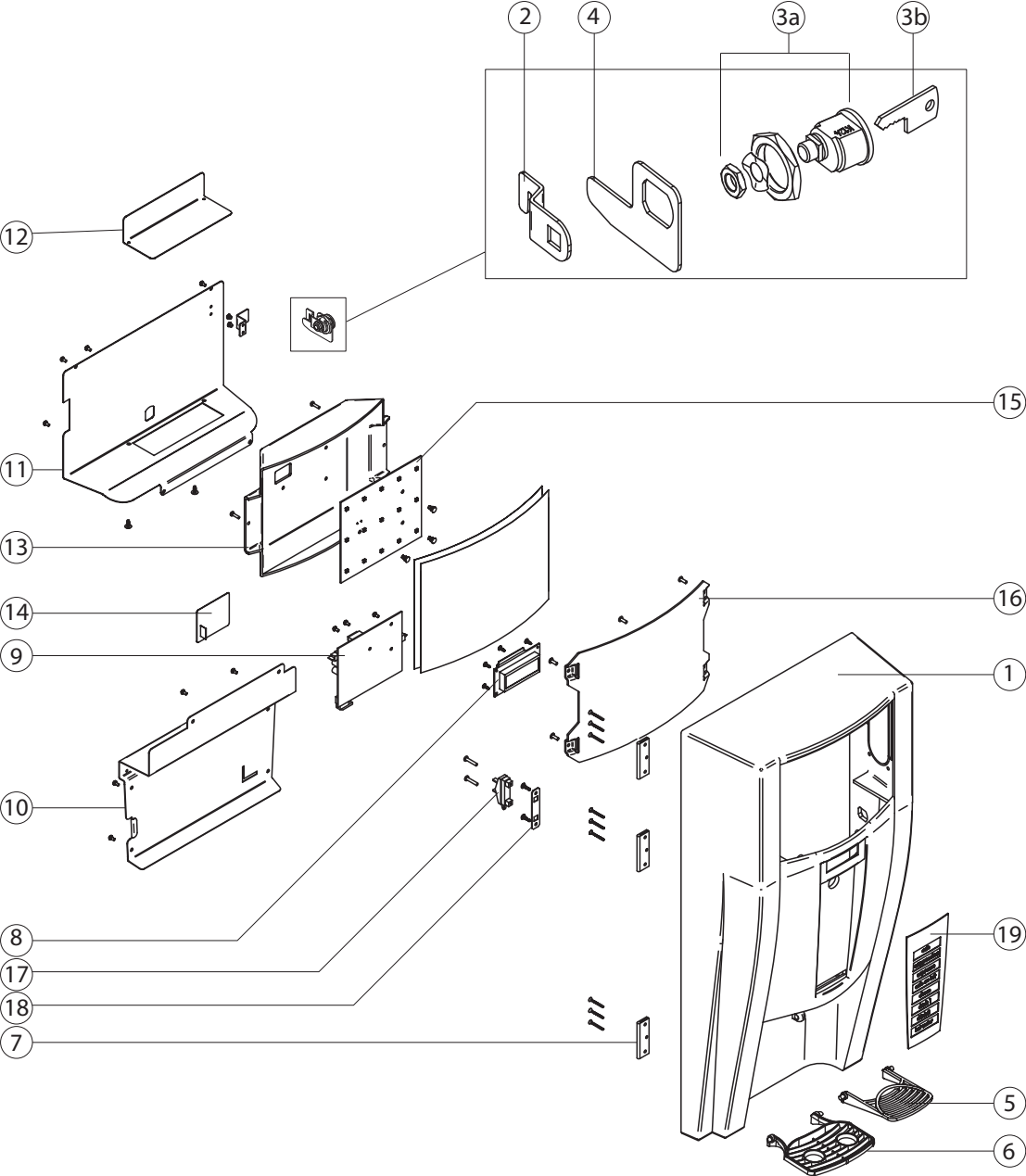
## 1 System setup



<b>Pos.</b>	<b>Description</b>	
1	Bean container	<i>(see chapter 8)</i>
2	Grinder	<i>(see chapter 7)</i>
3	Brewer parts	<i>(see chapter 10)</i>
4	Mixer system	<i>(see chapter 3)</i>
5	Other components	<i>(see chapter 13)</i>
6	Water system	<i>(see chapter 6)</i>
7	Electronic parts	<i>(see chapter 12)</i>
8	Instant containers	<i>(see chapter 9)</i>
9	Door complete	<i>(see chapter 2)</i>
10	Sheeting and chassis	<i>(see chapter 14)</i>
11	Liquid pump	<i>(see chapter 5)</i>

**2 DOOR**

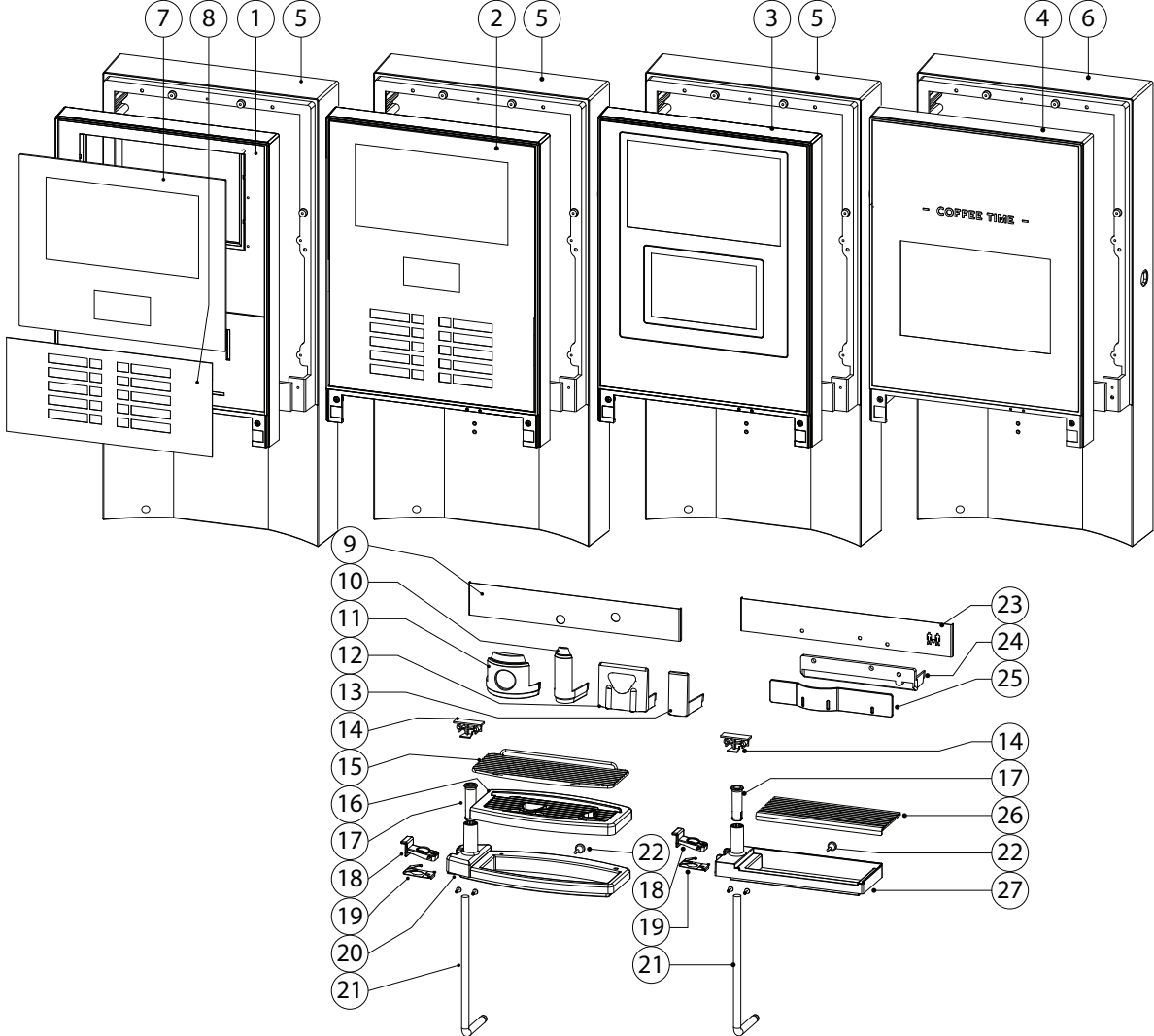
2.1 Door Mundo Medium



Pos.	Art. code	NL	EN	DE
1	8688330xx	Deur	Door	Tür
2	866255300	Slotlip	Lock picker	Schloßholz
3a	867556000	Slot K124	Lock K124	Schloß K124
3b	966426000	2x Sleutel K124	2x Key K124	2x Schlüssel K124
4	870273000	Beugel interlock	Bracket interlock	Bracket interlock
5	966353100	Bekertreef enkele uitloop	Cup stand single dispense	Becherstelle Einzelabgabe
6	865124100	Bekertreef dubbele uitloop	Cup stand double dispense	Becherstelle doppelte Abgabe
7	967232000	Scharnier	Hinge	Scharnier
8	868365300	LCD Display	LCD display	LCD Bildschirm
9	S866251120	Display print + software	Display PCB + software	Anzeige PCB + software
10	866462000	Afdekplaat elektronica	Cover plate electronics	Abdeckplattenelektronik
11	867682000	Afdekplaat muntmechanisme	Cover plate coin mechanism	Abdeckplatten-Münzmechanismus
12	867001100	Afdekplaat geldbak	Cover plate moneybox	Abdeckplatte Sparbüchse
13	866466000	Afdekplaat lichtbak	Cover plate lightbox	Abdeckplatte Leuchtkasten
14	865205100	Service paneel	Service panel	Service-Panel
15	866467100	LED plaat	LED plate	Beleuchtung
16	866464000	Transparante plaat	Transparent sheet	Glassplatte
17	7123690000	Trekontlasting	Pull relief	Zugentlastung
18	865145000	Montageplaat	Mounting plate	Montageplatte
19a	866457100	Bedieningspaneel 8 toetsen	Selection panel 8 buttons	Bedienungstastatur 8 Tasten
19b	868802000	Bedieningspaneel 9 toetsen	Selection panel 9 buttons	Bedienungstastatur 9 Tasten

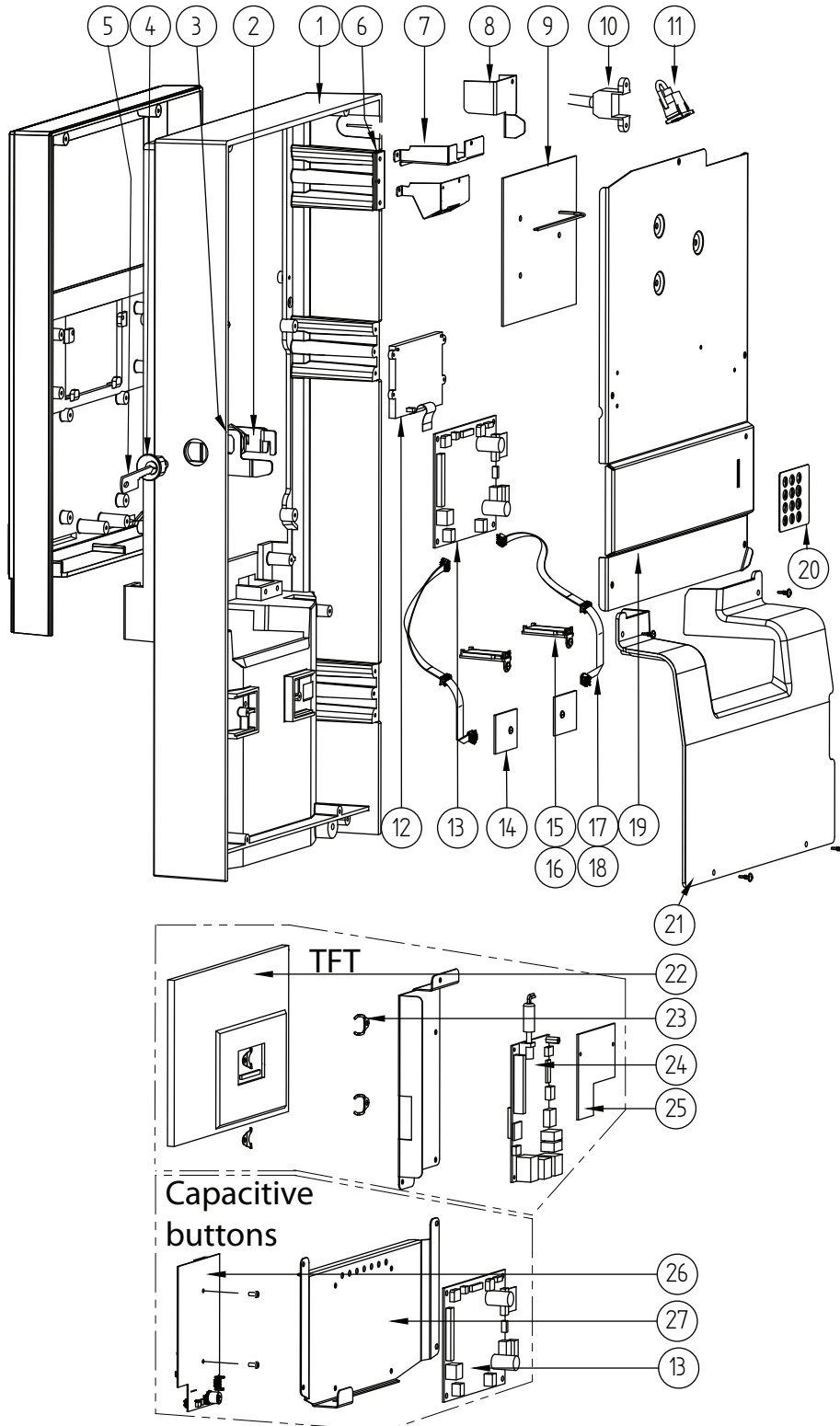


2.2 Door Dorado / Tucana medium



Pos.	Art. code	NL	EN	DE
1	8692590xx	Deurframe membraan	Door frame membrane	Türrahmen Membran
2	8692580xx	Deurframe capacitief	Door frame capacitive	Türrahmen kapazitiv
3	8705310xx	Deur frame Smart Touch	Door frame Smart Touch	Türrahmen Smart touch
4	8705310xx	Deur frame Premium	Door frame Premium	Türrahmen Premium
5	869215134	Deur	Door	Tür
6	871265034	Deur Premium	Door Premium	Tür Premium
7	869298000	Glas membraan	Glass membrane	Glasmembran
8	870138000	Membraan paneel Dorado	Membrane panel Dorado	Membranplatte Dorado
8	869576000	Membraan paneel Tucana wit	Membrane panel Tucana white	Membranplatte Tucana weiss
8	869577000	Membraan paneel Tucana zwart	Membrane panel Tucana black	Membranplatte Tucana schwarz
9	8692310xx	Plaat uitgiftekapjes	Plate outlet covers	Platte Auslassabdeckung
10	869213048	Uitgiftekapje water chrome	Outlet cover water chrome	Auslassabdeckung Wasser Chrom
11	869212048	Uitgiftekapje koffie chrome	Outlet cover coffee chrome	Auslassabdeckung Kaffee Chrom
12	869579048	Uitgiftekapje water zilver Tucana	Outlet cover water silver	Auslassabdeckung Wasser Silber
13	869578048	Uitgiftekapje koffie zilver Tucana	Outlet cover coffee silver	Auslassabdeckung Kaffee Silber
14	869204000	Stang bevestiging	Rod connector	Stangenverbinder
15	870829000	Bekerstandaard RVS	Cup stand stainless steel	Becherstelle Edeltahl
16	869201000	Bekerstandaard rooster	Cup stand grid	Becherstelle grid
17	869207000	Glij lager	Slide bearing	Gleitlager
18	869202000	Bekerstandaard knop	Cup stand button	Becherstelle taste
19	869289000	Bekerstandaard veer	Cup stand spring	Becherstelle feder
20	869200100	Bekerstandaard frame	Cap stand frame	Becherständerrahmen

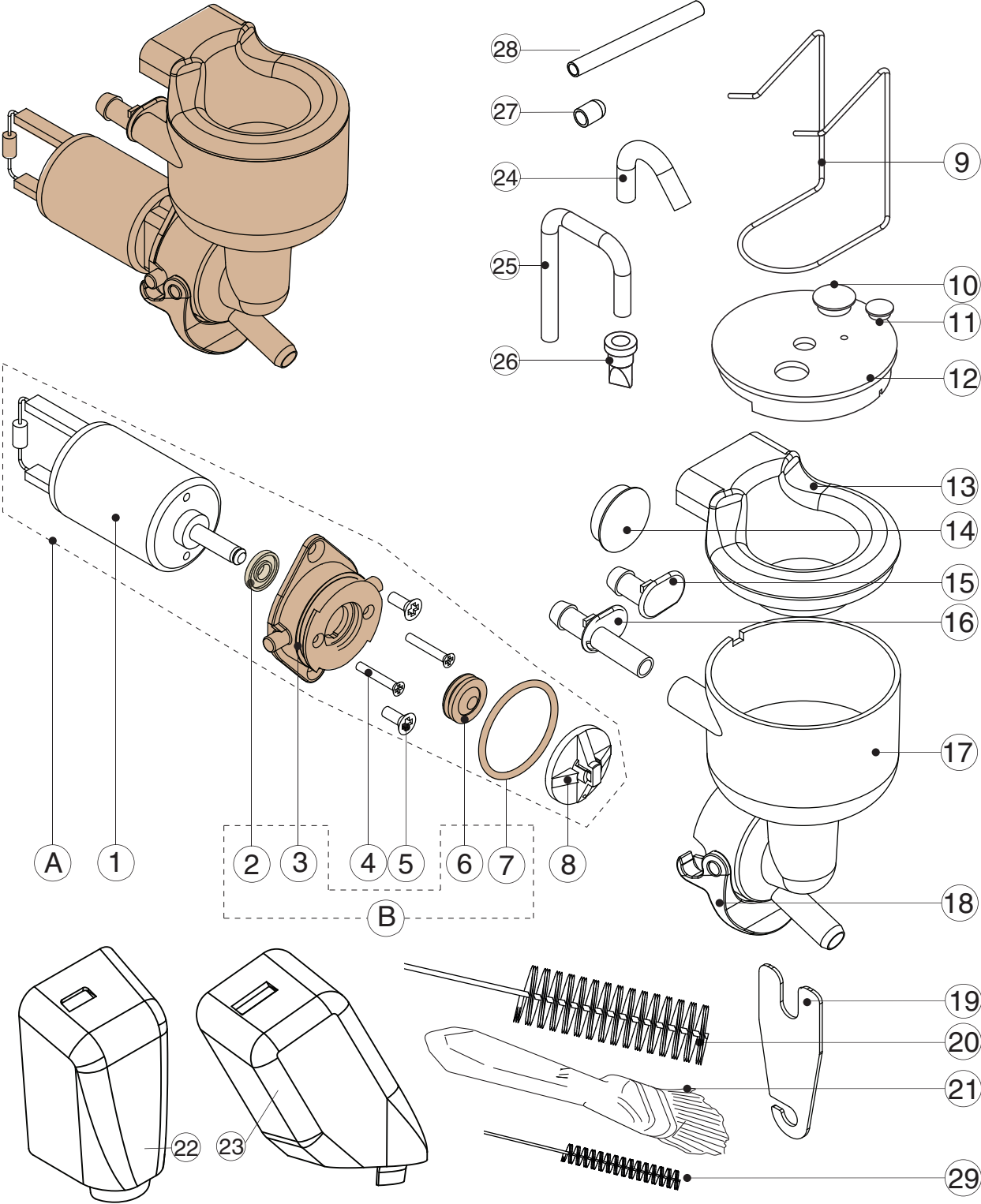
<b>Pos.</b>	<b>Art. code</b>	<b>NL</b>	<b>EN</b>	<b>DE</b>
21	869206000	Bekerstandaard stang	Cup stand rod	Becherstelle Stange
22	369574800	Stootdop	Bump cap	Stoßkappe
23	8711210xxscrxx	Plaat uitgiftekopjes Premium	Plate outlet covers Premium	Platte Auslassabdeckung Premium
24	871118000	Uitgiftekopje frame Premium	Outlet cover frame Premium	Auslassrahmen Premium
25	8711240xx	Uitgiftekopje Premium	Outlet cover Premium	Auslassabdeckung Premium
26	871122000	Bekerstandaard Premium	Cup stand Premium	Becherstelle Premium
27	871119000	Bekerstandaard frame Premium	Cup stand frame Premium	Becherständerrahmen Premium



Pos.	Art. code	NL	EN	DE
1	869215134	Deur	Door	Tür
2	967133000	Slotlip	Lock picker	Schloßholz
3	868593000	Positioneerplaat deur	Positioning pawl door	Positionierklinke Tür
4	867556000	Slot K124	Lock K124	Schloß K124
5	966426000	2x Sleutel K124	2x Key K124	2x Schlüssel K124
6	967232000	Scharnier	Hinge	Scharnier
7a	869385100	Beugel USB	Bracket USB	Halterung USB
7b	869685100	Beugel dubbele USB	Bracket double USB	Halterung Doppel USB
8	870657000	Beugel interlock	Bracket interlock	Bracket interlock
9	866467100	LED plaat	LED plate	Beleuchtung
10	869543000	Kabel USB (schroef)	Cable USB (screw)	Kabel USB (Schraube)
11a	869543100	Kabel USB (Snap-in)	Cable USB (snap-in)	Kabel USB (Snap-in)
11b	870580000	Kabel USB voor TFT	Cable USB for TFT	Kabel USB für TFT
12	869268100	LCD Display	LCD display	LCD Bildschirm
13a	869266400	Display print	Display PCB	Anzeige PCB
13b	870627100	Display print Smart Touch	Display PCB Smart Touch	Anzeige PCB Smart Touch
14	869245100	PCB bekersensor	PCB cupsensor	PCB Tasse Sensor
15	869247000	Kapje uitgifteverlichting	Cover PCB light	Abdeckung PCB Licht
16	S870615000	Set uitgifteverlichting	Set PCB light	Set PCB light
17	869316100	Platte kabel	Flat cable	Flaches Kabel
18	869987100	Platte kabel (voor capacatief)	Flat cable (for capacitive)	Flachkabel (für kapazitiv)
19	869250100	Afdekkap deur	Cover plate door	Abdeckplattentür
20	865205100	Service paneel	Service panel	Service-Panel
21	869243000	Afdekplaat bekersen-sor	Cover plate cupsen-sor	Abdeckplatte Tasse Sensor
22	869681000	LCD TFT 10.1"	LCD TFT 10.1"	LCD TFT 10.1"
23	868605000	Veer	Spring	Feder
24	S8696720EU	PCB Riotboard EU	PCB Riotboard EU	PCB Riotboard EU
25	869673000	PCB interface Riot	PCB interface Riot	PCB interface Riot

<b>Pos.</b>	<b>Art. code</b>	<b>NL</b>	<b>EN</b>	<b>DE</b>
26	S859670200	Print capacitieve knoppen	PCB capacitive buttons	PCB Kapazitive Tasten
27	869653100	Beugel display print	Bracket display PCB	Zahnspangen Anzeige PCB

3 Mixer system

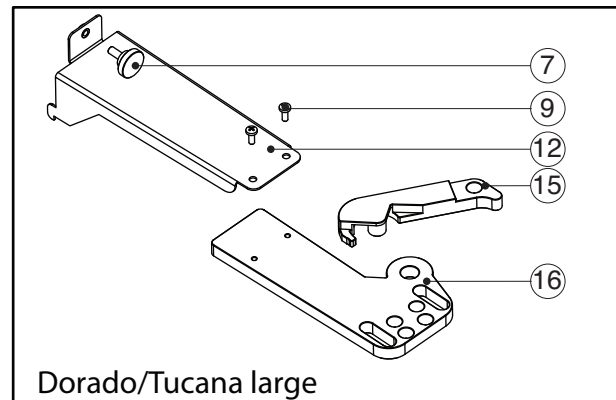
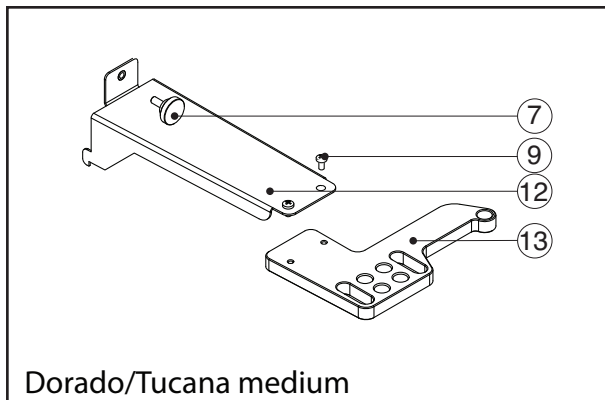
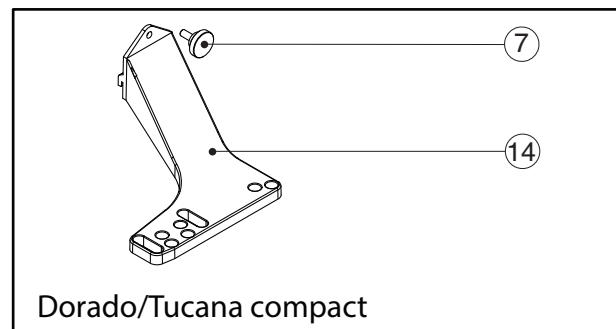
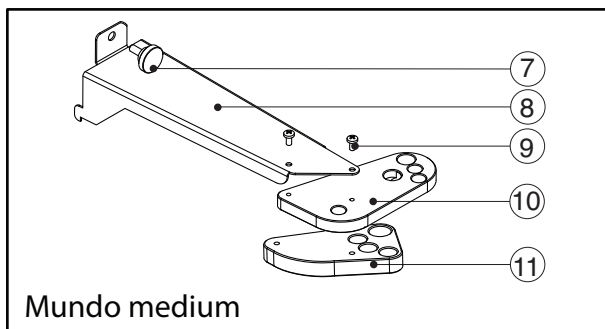
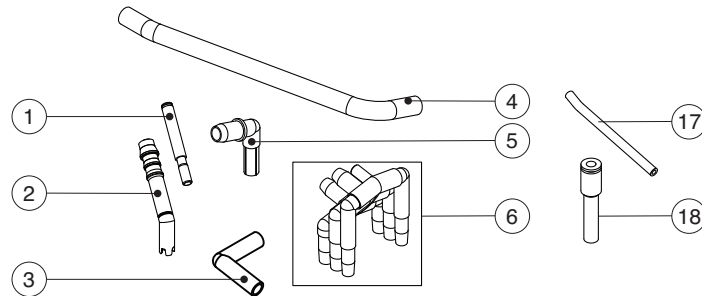


Pos.	Art. code	NL	EN	DE
A	S868558000	Mixermotor compleet	Mixer motor complete	Mischermotor komplett
B	S868117000	Revisieset mixermotor	Revision kit mixer motor	Revision kit Mischermotor
1	868558000	Mixermotor	Mixer motor	Mischermotor
2	966503000	Afdichting mixermotor	Sealer mixer motor	Abdichtung Mischermotor
3	865104200	Mixer basis	Mixer base	Mischerbasis
4	865265000	Schroef M3 x 20	Screw M3 x 20	Schraube M3 x 20
5	868569000	Schroef 4.2 x 13	Screw 4.2 x 13	Schraube 4.2 x 13
6	660234000	Afdichting mixer basis	Sealer mixer base	Abdichtung Mischerbasis
7	966557000	O-ring mixer basis	O-ring mixer base	O-ring Mischerbasis
8a	966517000	Mixerblad	Mixer blade	Mischerblatt
8b	869978000	Mixerblad High in-cup Quality (HIQ) koffie	Mixer blade High in-cup Quality (HIQ) coffee	Mischerblatt High in-cup Qualität (HIQ) kaffee
8c	868454000	Mixerblad High in-cup Quality (HIQ) instant	Mixer blade High in-cup Quality (HIQ) instant	Mischerblatt High in-cup Qualität (HIQ) instant
9	867369000	Klem mengmix deksel liquid	Clamp mixing bowl lid liquid	Klemme Mischkammer deckel liquid
10	867788000	Dop mengmix deksel groot	Cap mixing bowl lid large	Kappe Mischkammer deckel gross
11	867787000	Dop mengmix deksel klein	Cap mixing bowl lid small	Kappe Mischkammer deckel klein
12	S867817000	Mengmix deksel liquid met doppen	Mixing bowl lid liquid with caps	Mischkammer deckel liquid mit Kappe
13a	865106100	Mengmix deksel met afzuiging (grijs)	Mixing bowl lid with extraction (grey)	Mischkammer deckel mit extraktion (grau)
13b	865106000	Mengmix deksel met afzuiging large (zwart)	Mixing bowl lid with extraction large (black)	Mischkammer deckel mit extraktion large (schwarz)
14	865998000	Afdichtdop mengmixkamer	Sealing plug mixing bowl	Blindstopfen Mischkammer
15	865933000	Afdichtdop waterdoorvoer	Sealing plug water connection	Blindstopfen Wassertuelle
16a	865107500	Waterdoorvoer (zwart)	Water connection (black)	Wassertuelle (schwarz)



Pos.	Art. code	NL	EN	DE
16b	868717200	Waterdoorvoer met restriction (groen)	Water connection with restriction (green)	Wassertuelle mit Restriktion (grün)
17a	865105200	Mengmixkamer grijs	Mixing bowl grey	Mischkammer grau
17b	865105100	Mengmixkamer zwart (liquid)	Mixing bowl black (liquid)	Mischkammer schwarz (liquid)
17c	S392174400	Mengmixkamer High in-cup Quality (HIQ) compleet	Mixing bowl High in-cup Quality (HIQ) complete	Mischkammer High in-cup Qualität (HIQ) komplett
18	865110100	Beugel mengmixkamer	Clamp mixing bowl	Klemme mischkammer
19	868607000	Mixerblad gereedschap	Mixer blade tool	Mischerblatt tool
20	868232000	Schoonmaakborstel	Cleaning pipe brush	Reinigungsbürste
21	868709000	Schoonmaakkwast	Cleaning brush	Reinigungspinsel
22	870025100	Spatkap High in-cup Quality (HIQ) small	Splash cover High in-cup Quality (HIQ) small	Spritzschutz High in-cup Qualität (HIQ) klein
23	870026100	Spatkap High in-cup Quality (HIQ) medium	Splash cover High in-cup Quality (HIQ) medium	Spritzschutz High in-cup Qualität (HIQ) Medium
24	967325000	Inlaatbuis liquid koffie	Inlet pipe liquid coffee	Einlassrohr liquid Kaffee
25	965104100	Inlaatbuis liquid chocolade	Inlet pipe liquid chocolate	Einlassrohr liquid Kakao
26	966909000	Tuit liquid	Spout liquid	Tülle liquid
27	492001745000	Siliconen kapje HIQ	Silicon cap HIQ	Silikon Kappe HIQ
28	492000818040	Teflon slang 40 mm HIQ	Teflon tube 40 mm HIQ	Teflon Schlauch 40 mm HIQ
29	871012000	Schoonmaakborstel	Cleaning pipe brush	Reinigungsbürste

## 4 Dispense aera espresso

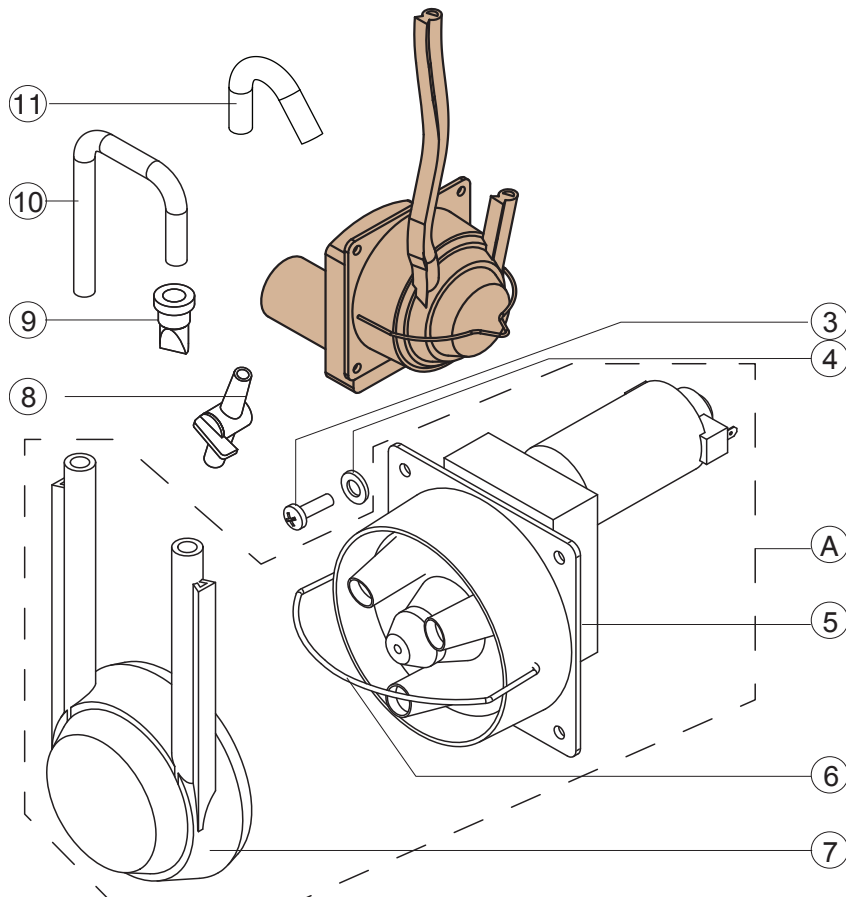


Pos.	Art. code	NL	EN	DE
1	869099000	Slangverbinder uitloop koffie	Hose connector outlet coffee	Schlauchanschluss Auslass Kaffee
2	869098000	Uitloop koffie	Outlet coffee	Auslass Kaffee
3	869649000	Knie stuk	Elbow	Winkel
4	865272000	Slang 8x2 lengte 1m	Hose 8x2 length 1m	Schlauch 8x2 länge 1m
5	867384000	Uitloop	Outlet	Auslass
6	S869555000	Dubbele uitloop compleet	Double outlet complete	Doppelt Auslass komplett
7	967682000	Duimschroef M4x10	Thumbscrew M4x10	Flügelschraube M4x10

Pos.	Art. code	NL	EN	DE
8	869020000	Uitgiftearm Mundo	Dispense boom Mundo	Ausgabearm Mundo
9	865871000	Schroef M3x8	Screw M3x8	Schraube M3x8
10	869025200	Uitgifteplaat gescheiden Mundo	Dispense plate separate Mundo	Ausgabehalter trennen Mundo
11	869059000	Uitgifteplaat centraal Mundo	Dispense plate central Mundo	Ausbagehalter zentral Mundo
12	869229000	Uitgiftearm Dorado/Tucana	Dispense boom Dorado/Tucana	Ausgabearm Dorado/Tucana
13	869595000	Uitgifteplaat Dorado/Tucana medium	Dispense plate Dorado/Tucana medium	Ausgabehalter Dorado/Tucana medium
14	869717100	Uitgifteplaat Dorado/Tucana compact	Dispense plate Dorado/Tucana compact	Ausgabehalter Dorado/Tucana compact
15	870541000	Uitgiftehouder heet water Dorado/Tucana large	Dispense bracket hot water Dorado/Tucana large	Ausgabehalter Heißwasser Dorado/Tucana large
16	870540000	Uitgifteplaat Dorado/Tucana large	Dispense plate Dorado/Tucana large	Ausgabehalter Dorado/Tucana large
17	967781000	Teflon slang 4mm (L = 1000 mm)	Teflon tube 4mm (L = 1000 mm)	Teflon Schlauch 4mm (L = 1000 mm)
18	870748000	Insteekkoppeling D4-D6	Nipple D4-D6	Stecknippel D4-D6

## 5 Pumps for liquid chocolate and coffee.

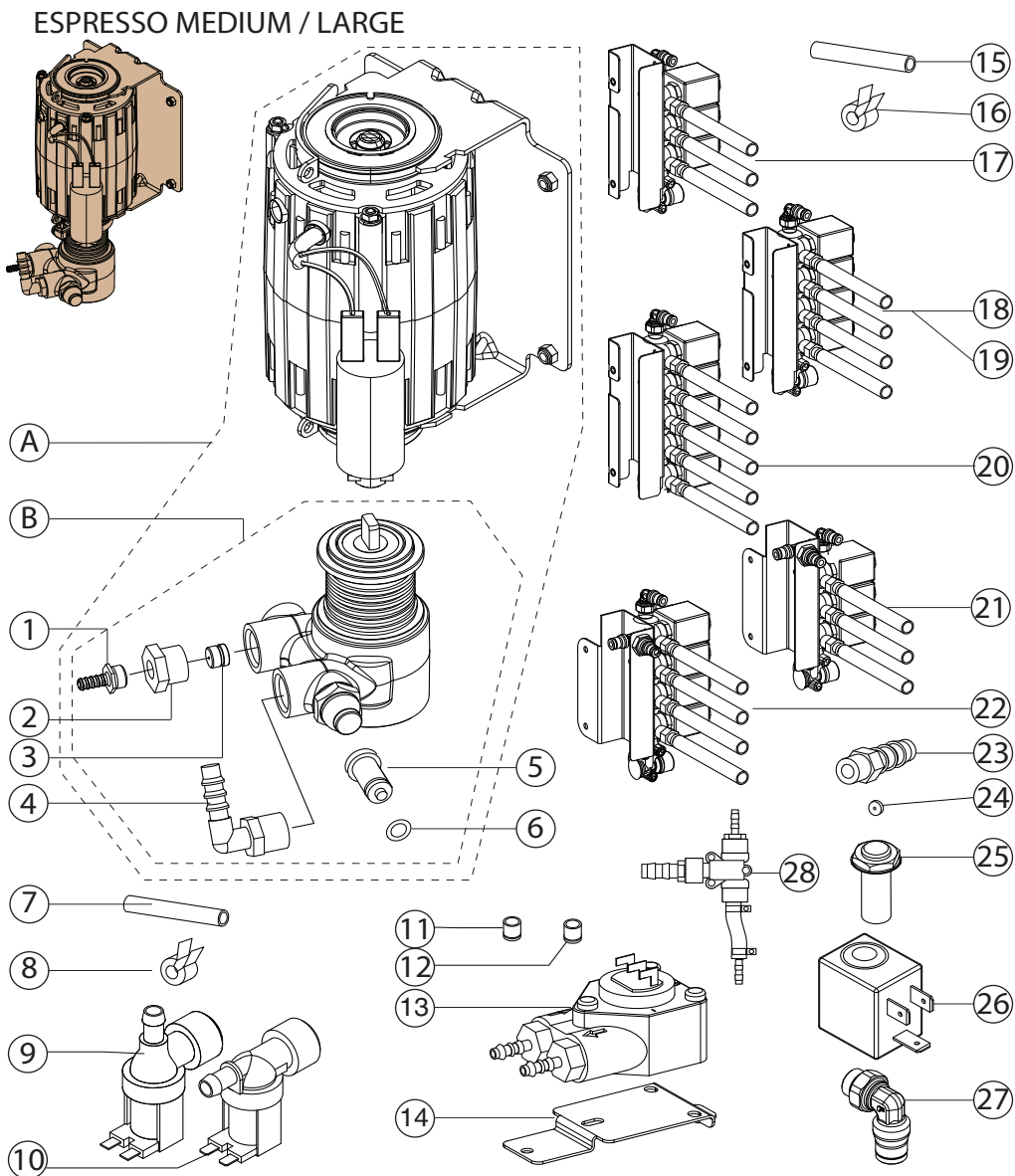
### 5.1 Pump liquid chocolate



Pos.	Art. code	NL	EN	DE
A	S492186900	Pomp compleet	Pump complete	Pumpe komplett
3	867652000	Schroef M5 x 10	Screw M5 x 10	Schraube M5 x 10
4	965464000	Veerring	Washer	Unterlegscheibe
5 + 6	S492186200	Pomp + klemveer	Pump + Clip	Pumpe + Beugelkl- emme
6	866323100	Klemveer	Clip	Beugelklemme
7	868109000	Pompkop met slang	Pumphead with hose	Pumpenkopf mit Schlauch
8	967330000	Kraan	Tap	Hahn
9	966909000	Tuit	Nozzle	Tulle
10	965104100	Inlaatbuis lang	Inlet long	Einlassrohr lang
11	967325000	Inlaatbuis kort	Inlet short	Einlassrohr kurz

## 6 WATER SYSTEM

### 6.1 Water pump and valves espresso machine

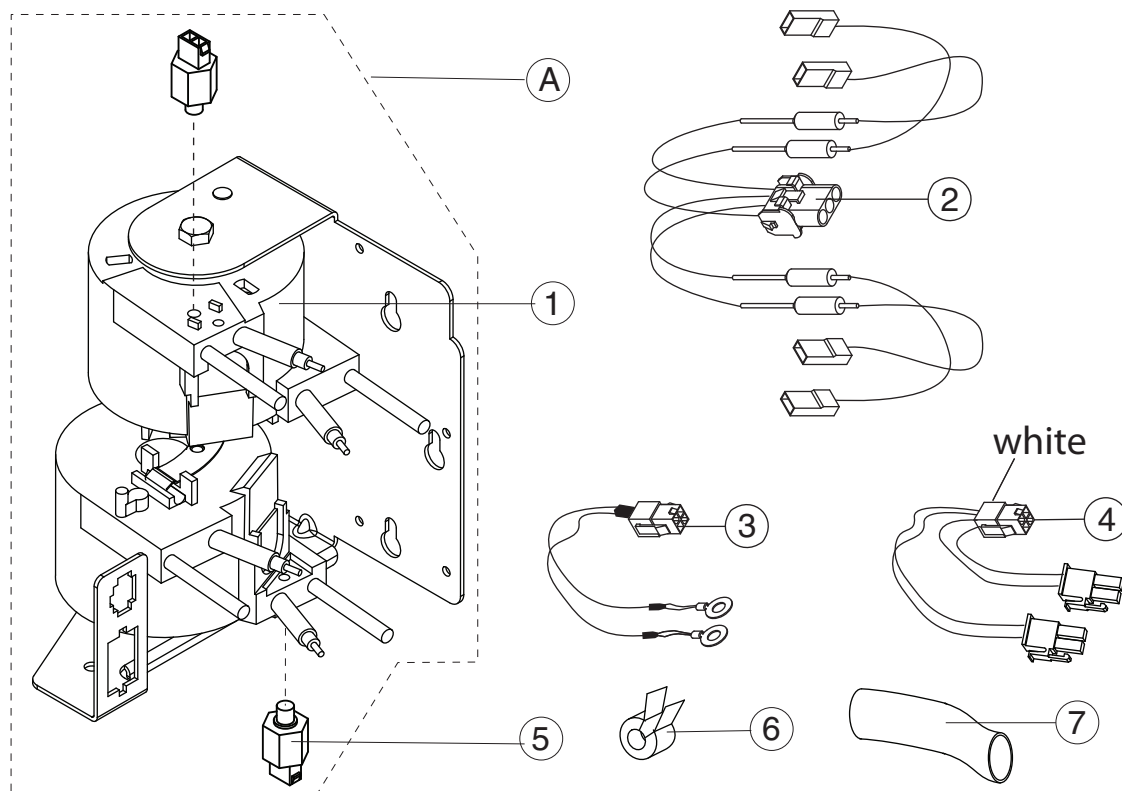


Pos.	Art. code	NL	EN	DE
A	S856528210	Rotatiepomp compleet 10B	Rotary pump complete 10B	Kreiselpumpe komplett 10B
B-1	S868753010	Rotatie pompkop voor Medium	Rotary pumphead for Medium	Kreisel pumpenkopf für Medium
B-2	S868755010	Rotatie pompkop voor Large	Rotary pumphead for Large	Kreisel pumpenkopf für Large
1	868534000	Messing slangpilaar	Brass hose coupling	Messing Schlauchstuetze
2	866553000	Verloopring	Adapter ring	Adapterring
3	867948100	Reduceer nippel	Reduce nipple	Nippel reduzieren
4	865513100	Slangpilaar 3/8	Hose coupling 3/8	Schlauchstuetze 3/8
5	870767000	Bypass plunjer	Bypass plunger	Bypasskolben
6	870766000	O-ring pomp	O-ring pump	O-ringpumpe
7	865307000	Inlaatslang lengte 1m	Inlet hose length 1m	Einlassschlauch länge 1m
8	867852000	Slangklem	Hose clamp	Schlauch klemme
9a	868670000	Inlaatventiel haaks 3L/m	Inlet valve angled 3L/m	Einlassventil abgewinkelt 3L/m
9b	S855236000	Inlaatventiel haaks 1L/m	Inlet valve angled 1L/m	Einlassventil abgewinkelt 1L/m
10a	867975000	Inlaatventiel recht 3L/m	Inlet valve straight 3L/m	Einlassventil gerade 3L/m
10b	S001758000	Inlaatventiel recht 1L/m	Inlet valve straight 1L/m	Einlassventil gerade 1L/m
11	869626000	Restrictor inlaatventiel 1L/m	Restrictor inlet valve 1L/m	Restrictor einlassventil 1L/m
12	870030000	Restrictor inlaatventiel 2,5L/m	Restrictor inlet valve 2,5L/m	Restrictor einlassventil 2,5L/m
13	S492200300	Flowmeter	Flowmeter	Durchflussmesser
14a	869754100	Montageplaat flowmeter Medium	Mounting plate flowmeter Medium	Montageplatte Durchflussmesser Medium
14b	870544100	Montageplaat flowmeter Large	Mounting plate flowmeter Large	Montageplatte Durchflussmesser Large
15	868690100	Slang met mantel lengte 1m	Hose with mantle length 1m	Schlauch mit mantel länge 1m
16	868828000	Slangklem	Hose clamp	Schlauchschelle

Pos.	Art. code	NL	EN	DE
17	S000185100	Ventielblok compleet ES121	Valve block complete ES121	Ventilblock komplett ES121
18	S000185200	Ventielblok compleet ES132	Valve block complete ES132	Ventilblock komplett ES132
19	S492185300	Ventielblok compleet ES121 Americano	Valve block complete ES121 Americano	Ventilblock komplett ES121 Americano
20	S000185400	Ventielblok compleet ES132 Americano	Valve block complete ES132 Americano	Ventilblock komplett ES132 Americano
21	S000197400	Ventielblok compleet ES211 / ES221	Valve block complete ES211 / ES221	Ventilblock komplett ES211 / ES221
22	S000201200	Ventielblok compleet ES221 Americano	Valve block complete ES221 Americano	Valveblock komplett ES221 Americano
23	869709000	Slangpilaar	Hose coupling	Schlauchstuetze
24	870267000	Restrictor heet water	Restrictor hot water	Restrictor Warmwasser
25	870091000	Anker en plunjer ventielblok	Armature and plunger valve block	Anker- und Kolbenventilblock
26	870090000	Spoel 24V DC, 7W	Coil 24V DC, 7W	Spule 24V DC, 7W
27	868610000	Insteekkoppeling draaibaar	Coupling rotatable	Steckkupplung schwenkbar
28	S000185900	Veiligheidsventiel 132 Americano	Safety valve 132 Americano	Sicherheitsventil 132 Americano

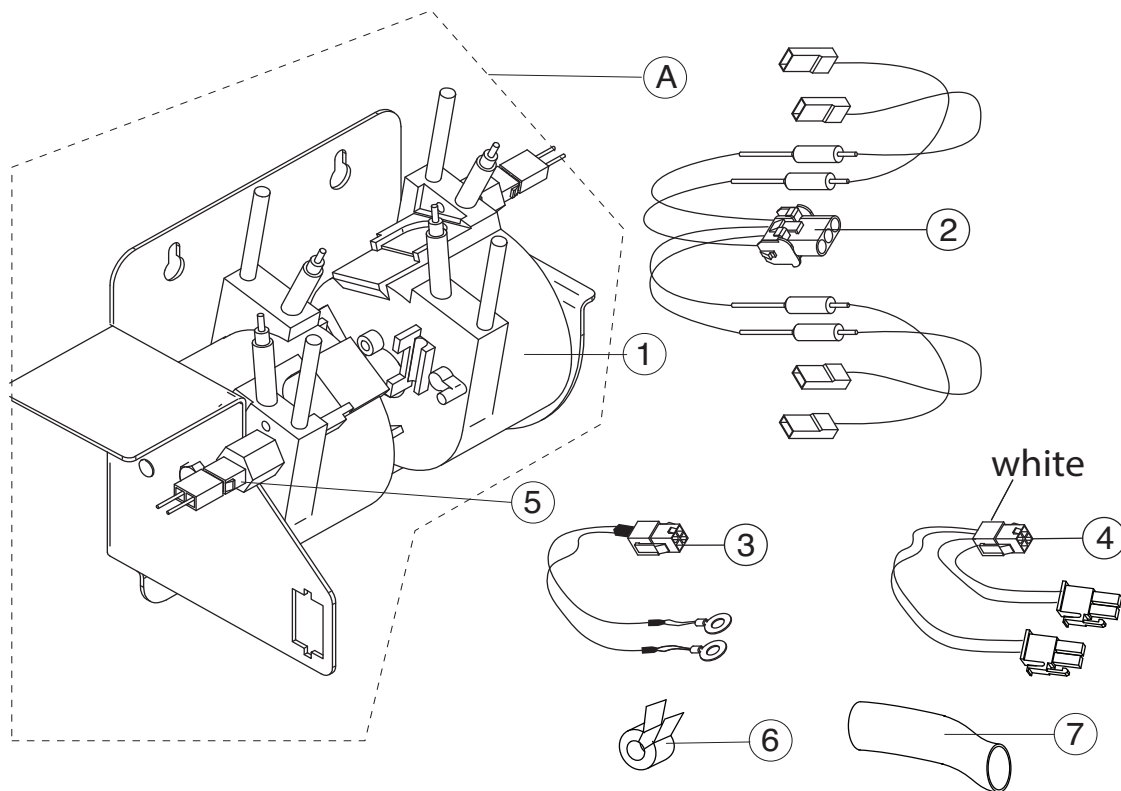


## 6.2 Boiler espresso medium large



Pos.	Art. code	NL	EN	DE
A	S858366100	Boiler compleet 2600W	Heater complete 2600W	Heizung komplett 2600W
1	868366100	Boiler element	Heater element	Heizung Element
2	868708100	Oververhitting beveiliging	Overheat protection	Überhitzungsschutz
3	866134100	NTC met draadoog	NTC with wire eye	NTC mit Drahtauge
4	870129000	Kabel NTC met schroefdraad	Cable NTC with thread	Kabel NTC mit Gewinde
5	870128000	NTC met schroefdraad M6	NTC with thread M6	NTC mit Gewinde M6
6	869549000	Slang klem	Hose clamp	Schlauchklemme
7	868901000	Slang met mantel lengte 1m	Hose with mantle length 1m	Schlauch mit Mantel länge 1m

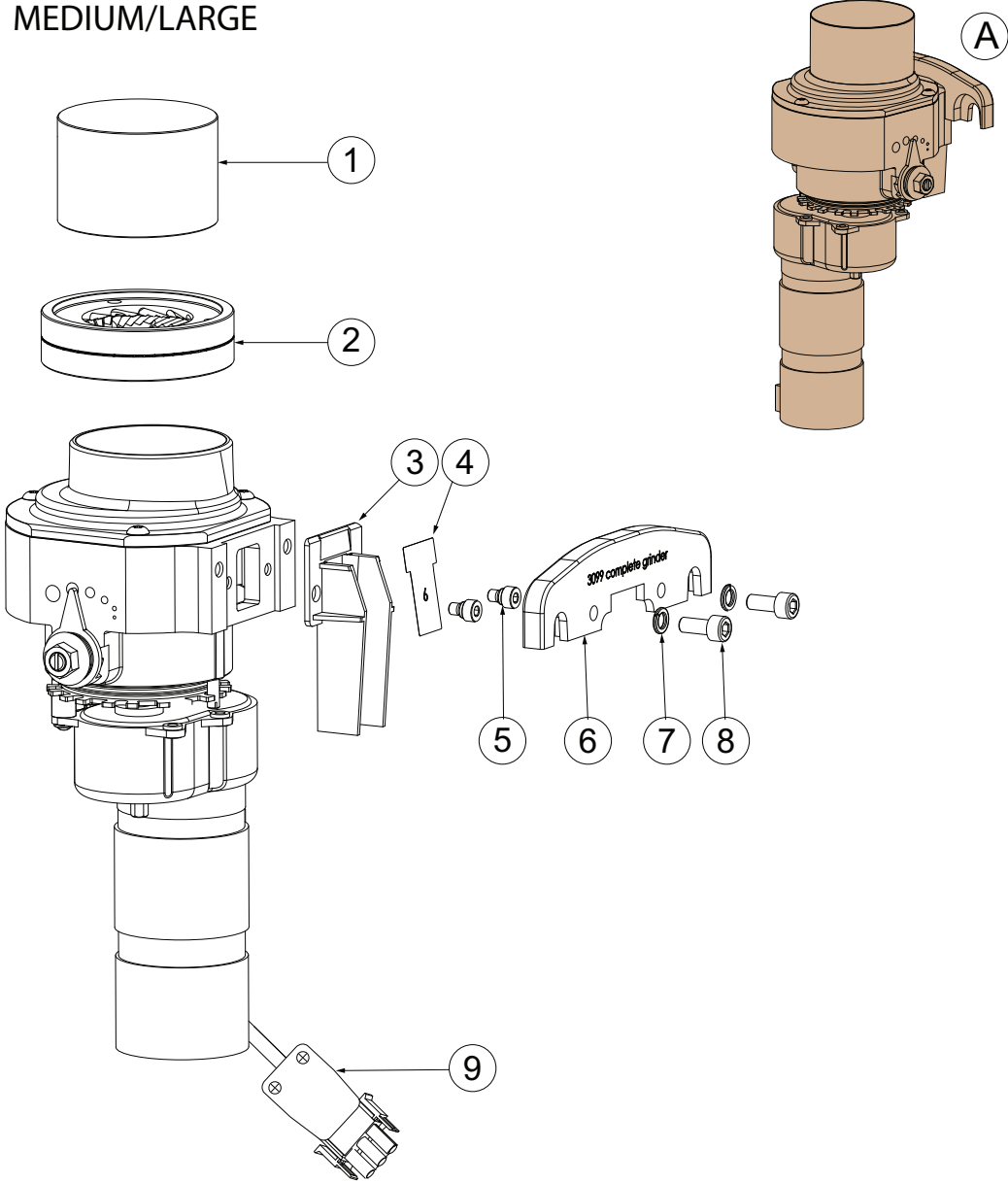
## 6.3 Boiler espresso medium 2 beans



Pos.	Art. code	NL	EN	DE
A	S0019720000	Boiler compleet 2 beans 2600W	Heater complete 2beans 2600W	Heizung komplett 2beans 2600W
1	868366100	Boiler element	Heater element	Heizung Element
2	868708100	Oververhitting beveiliging	Overheat protection	Überhitzungsschutz
3	866134100	NTC met draadoog	NTC with wire eye	NTC mit Drahtauge
4	870129000	Kabel NTC met schroefdraad	Cable NTC with thread	Kabel NTC mit Gewinde
5	870128000	NTC met schroefdraad M6	NTC with thread M6	NTC mit Gewinde M6
6	869549000	Slang klem	Hose clamp	Schlauchklemme
7	868901000	Slang met mantel lengte 1m	Hose with mantle length 1m	Schlauch mit Mantel länge 1m

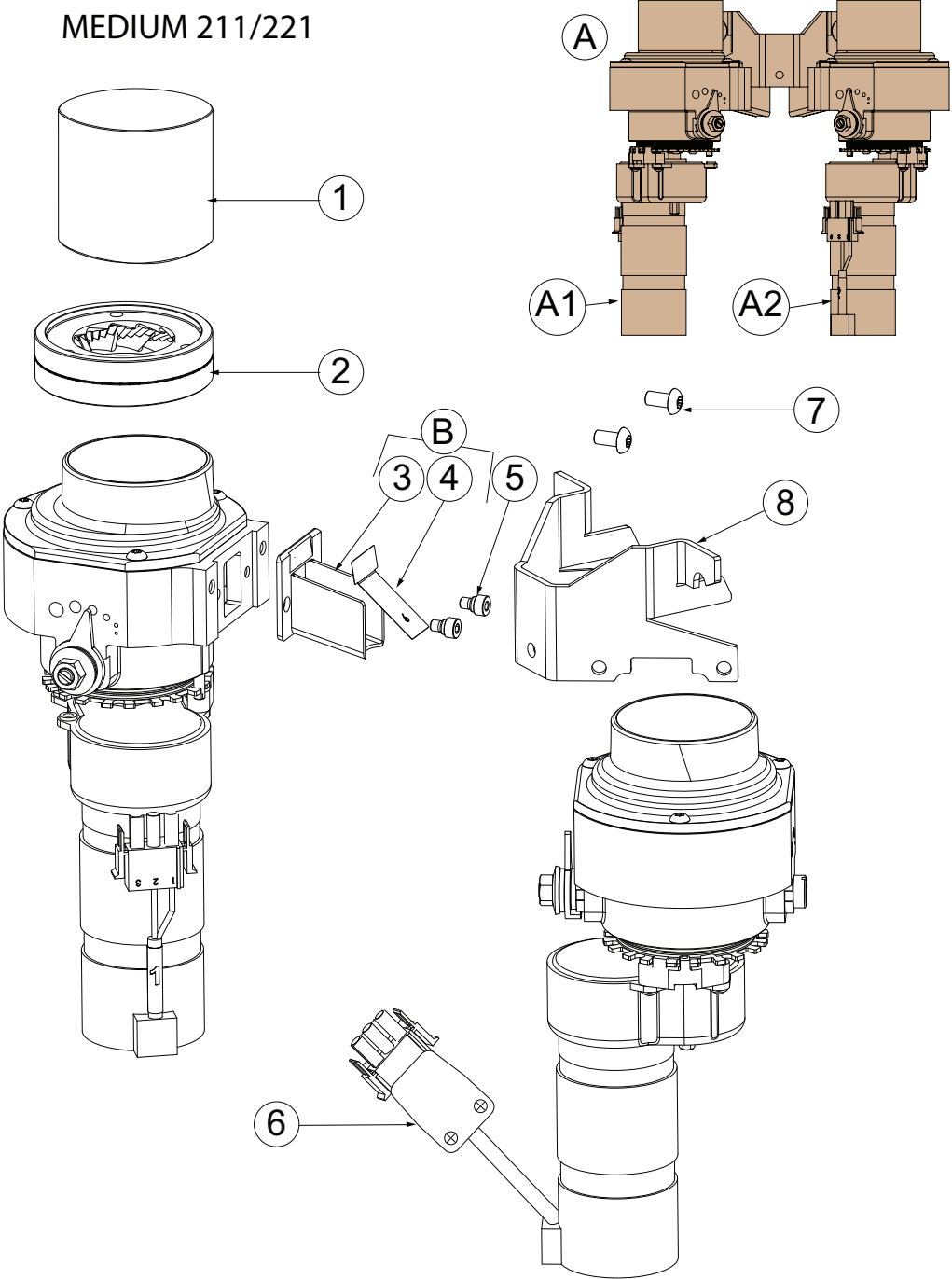
7 Grinder

MEDIUM/LARGE



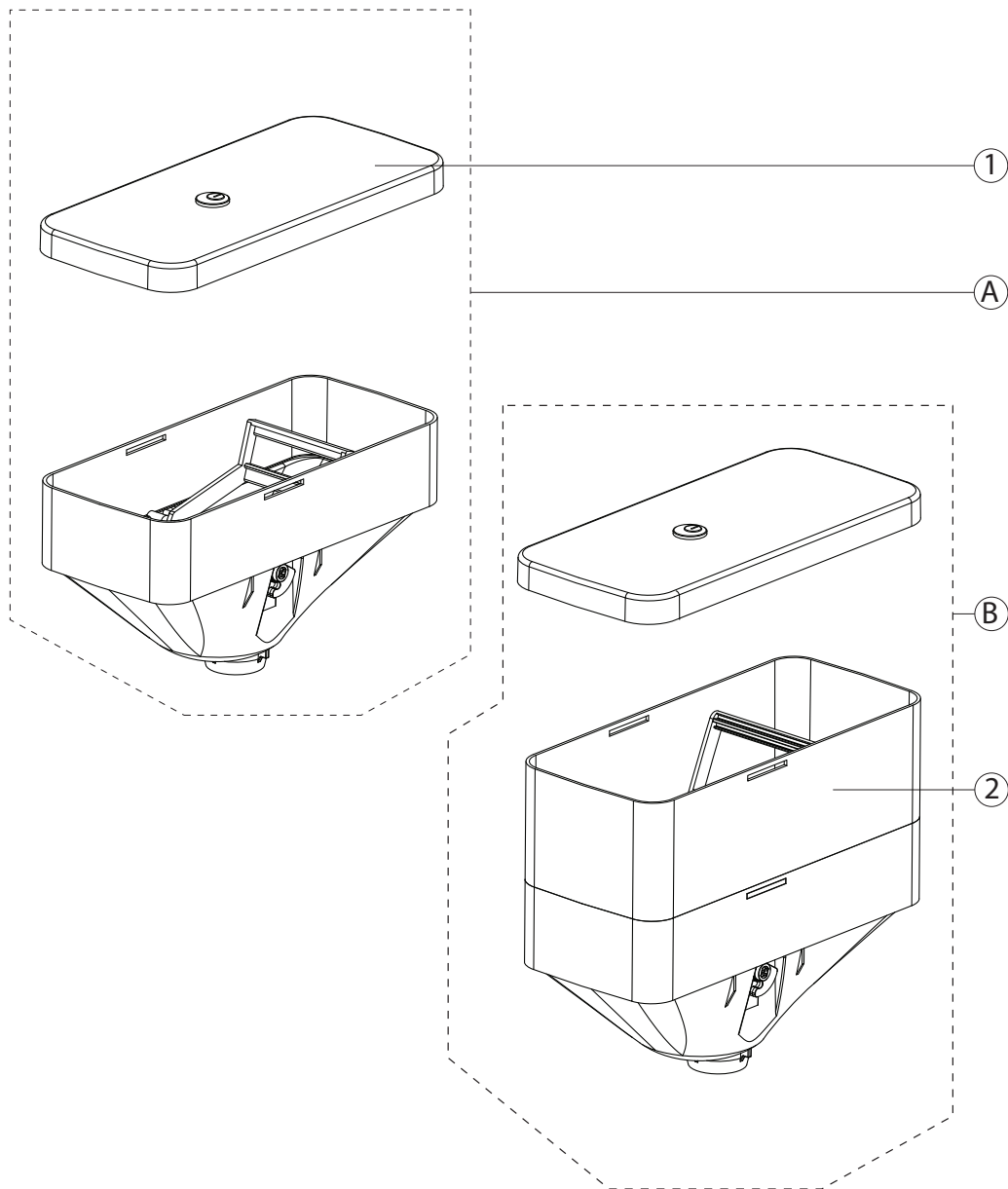
Pos.	Art. code	NL	EN	DE
A	S859027000	Bonenmaler compleet	Grinder complete	Mühle komplett
1	869060000	Manchet Bonencontainer L=30	Manchet beancontainer L=30	Manschette Bohnenbehälter L=30
2	869527000	Maalschijven set	Grinder disk set	Mahlscheibensatz
3	869453000	Uitloop koffie	Nozzle coffee	Auslauf Kaffee
4	869411000	Deksel poedergeleider	Lider powder chute	Deckel pulverschacht
5	871273000	Schroef inbus M4x6	Hex screw M4x6	Inbusschraube M4x6
6	869531000	Beugel molen	Support grinder	Klammermühle
7	871272000	Veerring M5	springring M5	Federring M5
8	869489000	Schroef inbus M5x12	Hex screw M5x12	Inbusschraube M5x12
9	869057000	Trekontlasting	Strain relief	Zugentlastung
10	U00ACC00CPE CUU0	Reinigingstabletten (120x)	Cleaning tablets (120x)	Reinigungstabletten (120x)

MEDIUM 211/221



Pos.	Art. code	NL	EN	DE
A	S870695000	Dubbele bonenmaler compleet	Dual grinder complete	Doppel Mühle komplett
A-1	870826000	Bonenmaler links	Grinder left	Mühle links
A-2	870827000	Bonenmaler rechts	Grinder right	Mühle rechts
1	870692000	Manchet bonencontainer L=60	Manchet beancontainer L=60	Manschette Bohnenbehälter L=60
2	869527000	Maalschijven set	Grinder disk set	Mahlscheibensatz
B	870828000	Uitloop koffie met deksel	Nozzle coffee with lid	Auslauf Kaffee mit Deckel
3	870650000	Uitloop koffie	Nozzle coffee	Auslauf Kaffee
4	870699000	Deksel poedergeleider	Lid powder chute	Deckel pulverschacht
5	871273000	Schroef inbus M4x6	Hex screw M4x6	Inbusschraube M4x6
6	869057000	Trekontlasting	Strain relief	Zugentlastung
7	871270000	Torx schroef M5 x10	Torx screw M5 x10	Torxschraube M5 x10
8	870651000	Beugel dubbele bonenmaler	Support dual grinder	Halter doppel Mühle
9	U00ACC00CPE CUU0	Reinigingstabletten (120x)	Cleaning tablets (120x)	Reinigungstabletten (120x)

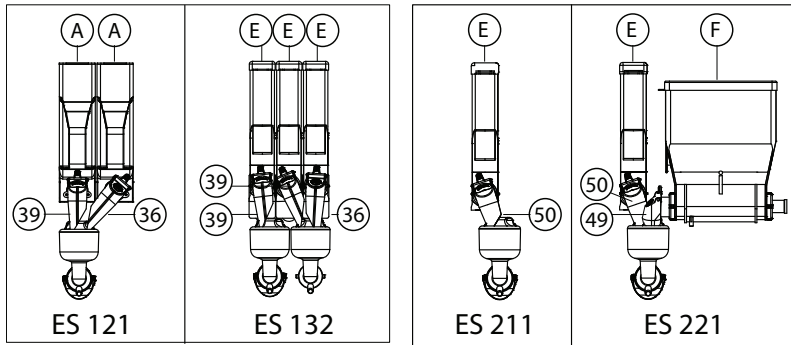
8 Bean container



Pos.	Art. code	NL	EN	DE
1	S869882000	Deksel bonencontainer	Bean hopper lid low	Bohnenbehälterdeckel niedrig
A	UESACC00CBE CUU1	Bonencontainer compleet	bean hopper complete	Bohnenbehälter komplett
B	UESACC00ESE CUU1	Bonencontainer verhoogd compleet	Bean hopper extended complete	Bohnenbehälter komplett verlängerte
2	UESACC00EPE CUU1	Bonencontainer verhooger	Bean hopper extender	Bohnenbehälter extender

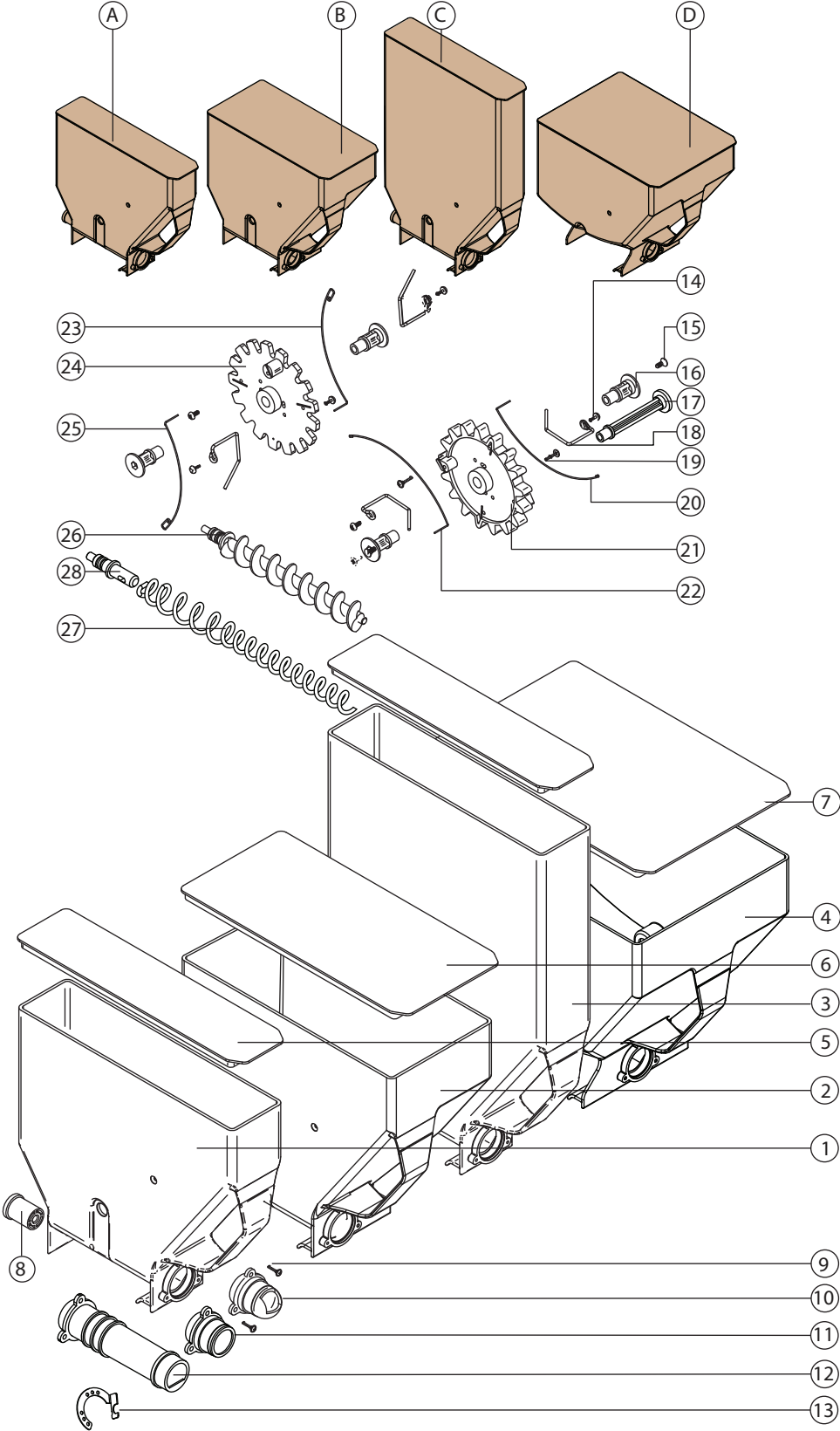
## 9 INSTANT CONTAINERS

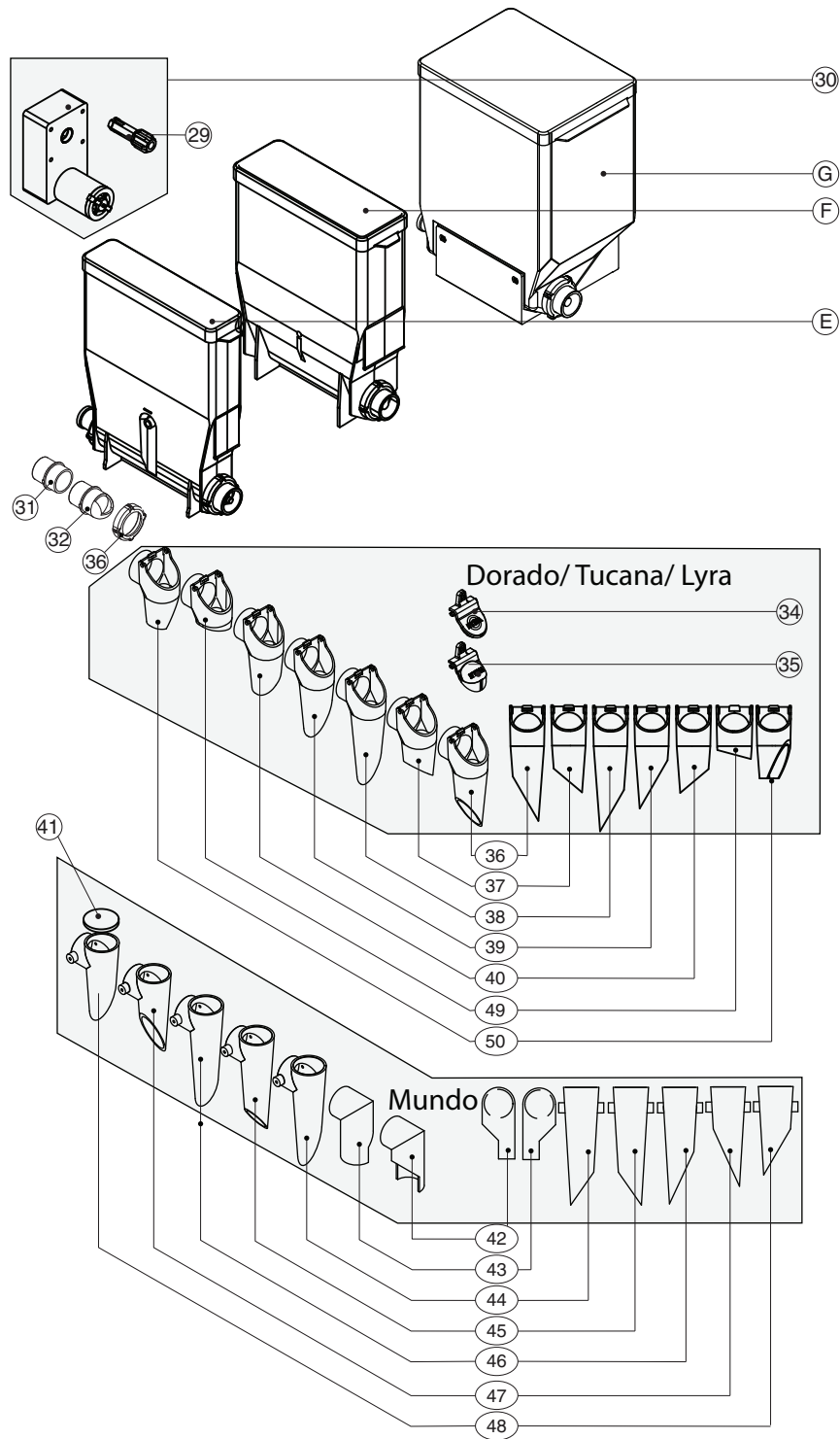
### 9.1 Layout instant canisters espresso medium





9.2 Instant canisters



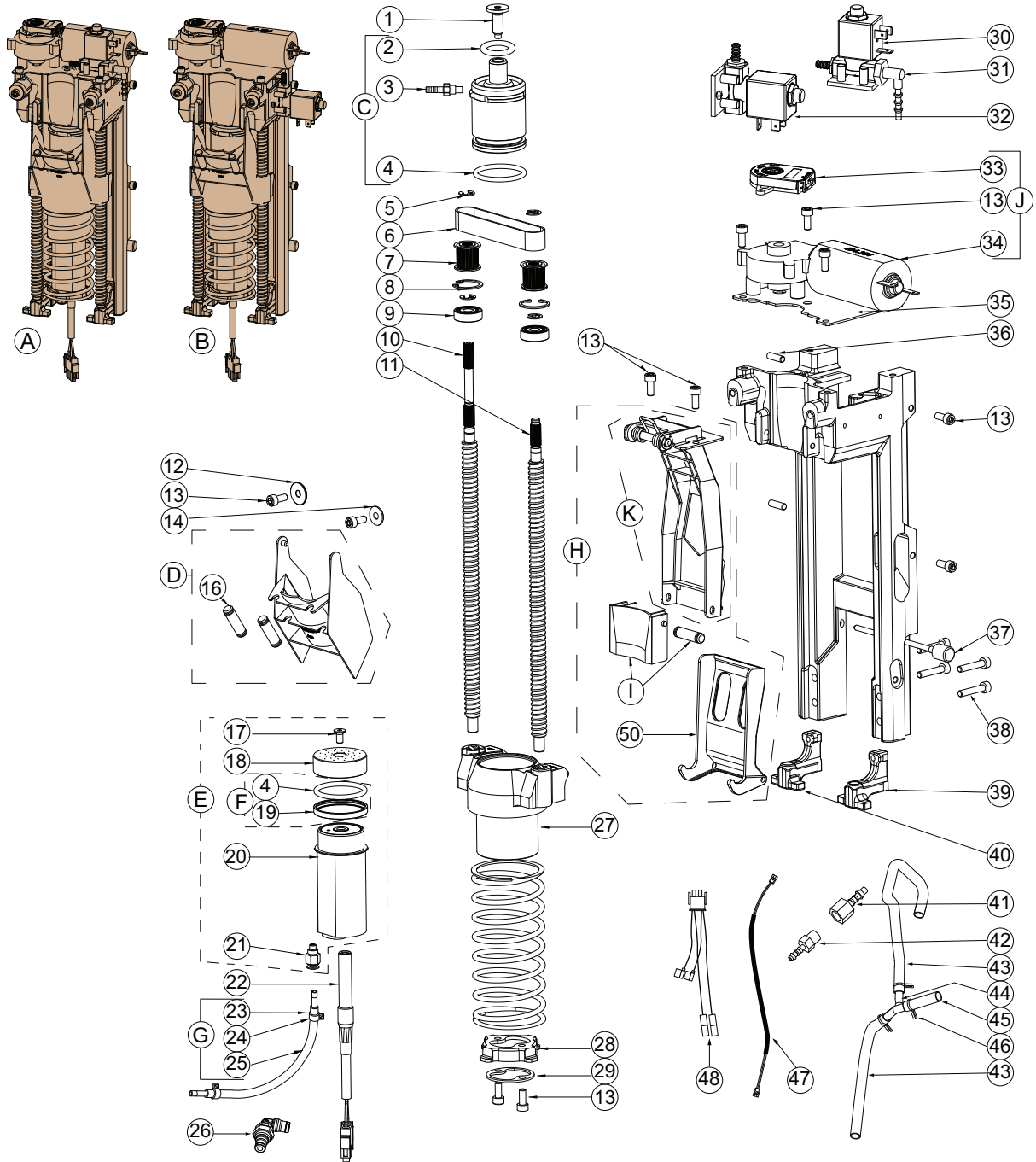


Pos.	Art. code	NL	EN	DE
A.1	S855111000	Suiker container 2,3L	Sugar canister 2,3L	Zucker Behälter 2,3L
A.2	S855111100	Topping/Choco container 2,3L	Topping/Choco canister 2,3L	Topping/Schoko Behälter 2,3L
A.3	S001444000	Instant koffie container 2,3L	Instant coffee canister 2,3L	Instant kaffee Behälter 2,3L
A.4	S492172100	Thee container 2,3L	Tea canister 2,3L	Tee Behälter 2,3L
B.1	S492176100	Instant koffie container 4,8L	Instant coffee canister 4,8L	Instant kaffee Behälter 4,8L
B.2	S855113100	Topping/Choco container 4,8L	Topping/Choco canister 4,8L	Topping/Schoko Behälter 4,8L
C.1	S492191700	Suiker container 5,4L	Sugar canister 5,4L	Zucker Behälter 5,4L
C.2	S492191600	Topping/Choc container 5,4L	Topping/Choco canister 5,4L	Topping/Schoko Behälter 5,4L
D.1	S855112000	Instant koffie container 7,2L	Instant coffee canister 7,2L	Instant kaffee Behälter 7,2L
E.1	869475000	Topping/Choco container 1,3L	Topping/Choco canister 1,3L	Topping/Schoko Behälter 1,3L
E.2	869478000	Instant koffie container 1,3L	Instant coffee canister 1,3L	Instant kaffee Behälter 1,3L
F.1	869644000	Topping/Choco container 1,9L	Topping/Choco canister 1,9L	Topping/Schoko Behälter 1,9L
F.2	869645000	Instant koffie container 1,9L	Instant coffee canister 1,9L	Instant kaffee Behälter 1,9L
G.1	866149100	Topping/Choco container 4,2L	Topping/Choco canister 4,2L	Topping/Schoko Behälter 4,2L
G.2	868326100	Instant koffie container 4,2L	Instant coffee canister 4,2L	Instant kaffee Behälter 4,2L
1	865111200	Container 2,3L	Canister 2,3L	Behälter 2,3L
2	865113100	Container 4,8L	Canister 4,8L	Behälter 4,8L
3	865476000	Container 5,4L	Canister 5,4L	Behälter 5,4L
4	865112100	Container 7,2L	Canister 7,2L	Behälter 7,2L
5	865116000	Containerdeksel 2,3L/5,4L	Lid canister 2,3L/5,4L	Deckel Behälter 2,3L/5,4L
6	865118000	Containerdeksel 4,8L	Lid canister 4,8L	Deckel Behälter 4,8L
7	865117000	Containerdeksel 7,2L	Lid canister 7,2L	Deckel Behälter 7,2L
8	867754000	Aandrijfkoppeling	Drive coupling	Antriebskupplung
9	966266000	Schroef M3 x 8	Screw M3 x 8	Schraube M3 x 8

Pos.	Art. code	NL	EN	DE
10	865114000	Doseertuit	Dozing nozzle	Dösen Düse
11	867440000	Doseertuit vlak	Dozing nozzle flat	Dösen Düse flach
12	868484000	Doseertuit thee	Dozing nozzle tea	Dösen Düse tee
13	866925200	Fixeerring uitlooptuit	Fixing ring outlet nozzle	Befestigungsring Auslassdüse
14	966266000	Schroef KA30X 8 WN1411	Screw KA30x8 WN1411	Schraube KA30x8 WN1411
15	967390000	Schroef 3,5x13	Screw 3,5x13	Schraube 3,5x13
16a	865691000	Draadeind M4x16	Screw thread M4x16	Gewindeende M4x16
16b	865121200	Tandwiel as kort	Gear shaft short	Getriebewelle kurz
17	865126200	Tandwiel as lang	Gear shaft long	Getriebewelle lang
18	965058100	Agitatie haak	Agitation hook	Agitations hook
19	965436000	Schroef 3,5x9,5	Screw 3,5x9,5	Schraube 3,5x9,5
20	965515100	Agitatie veer rechts	Agitation spring right	Agitation Feder rechts
21	865120100	Tandwiel rechts	Gear right	Ausrüstung rechts
22	965514100	Agitatie veer links	Agitation spring left	Agitation Feder links
23	868683000	Agitatie veer rechts kort	Agitation spring right short	Agitation Feder rechts kurz
24	865120000	Tandwiel links	Gear left	Ausrüstung links
25	868682000	Agitatie veer links kort	Agitation spring left short	Agitation Feder links kurz
26	865119200	Worm	Worm	Wurm
27	868485000	Worm thee	Worm tea	Wurm tee
28	868566000	Aandrijfkoppeling worm thee	Drive coupling worm tea	Antriebskupplung wurm tee
29	865235000	Tandwiel ingredient motor	Gear ingredient motor	Ausrüstung Zutat motor
30a	S855225000	Ingredient motor 160 rpm	Ingredient motor 160 rpm	Zutat motor 160rpm
30b	S855212000	Ingredient motor 115 rpm	Ingredient motor 115 rpm	Zutat motor 115rpm
30c	S855228000	Ingredient motor 90 rpm	Ingredient motor 90 rpm	Zutat motor 90rpm
30d	S855227000	Ingredient motor 50 rpm	Ingredient motor 50 rpm	Zutat motor 50rpm

Pos.	Art. code	NL	EN	DE
30e	S855226000	Ingredient motor 30 rpm	Ingredient motor 30 rpm	Zutat motor 30rpm
31	870497000	Doseertuit vlak	Dozing nozzle flat	Dösen Düse flach
32	870498000	Doseertuit	Dozing nozzle	Dösen Düse
33	870499000	Schroef doseertuit	Screw dozing nozzle	Schraube Dösen Düse
34	869160000	Klep vlak	Lid flat	Deckel flach
35	869161000	Klep bol	Lid domed	Deckel gewölbt
36	869485000	Uitlooptuit rechts 111 mm	Outlet nozzle right 111 mm	Auslassdüse rechts 111 mm
37	869484000	Uitlooptuit rechts 84 mm	Outlet nozzle right 84 mm	Auslassdüse rechts 84 mm
38	869483000	Uitlooptuit links 121 mm	Outlet nozzle left 121 mm	Auslassdüse links 121 mm
39	869482000	Uitlooptuit links 99 mm	Outlet nozzle left 99 mm	Auslassdüse links 99 mm
40	869481000	Uitlooptuit links 84 mm	Outlet nozzle left 84 mm	Auslassdüse links 84 mm
41	865135000	Kap uitlooptuit	Cap outlet nozzle	Kappe auslassdüse
42	868831000	Uitlooptuit rechts 68 mm	Outlet nozzle right 68 mm	Auslassdüse rechts 68 mm
43	868830000	Uitlooptuit links 68 mm	Outlet nozzle left 68 mm	Auslassdüse links 68 mm
44	865123200	Uitlooptuit links 115 mm	Outlet nozzle left 115 mm	Auslassdüse links 115 mm
45	865123300	Uitlooptuit rechts 115 mm	Outlet nozzle right 115 mm	Auslassdüse rechts 115 mm
46	865123400	Uitlooptuit links 114 mm	Outlet nozzle left 114 mm	Auslassdüse links 114 mm
47	866578000	Uitlooptuit rechts 98 mm	Outlet nozzle right 98 mm	Auslassdüse rechts 98 mm
48	866577000	Uitlooptuit links 87 mm	Outlet nozzle left 87 mm	Auslassdüse links 87 mm
49	870682000	Uitlooptuit rechts 50 mm	Outlet nozzle right 50 mm	Auslassdüse rechts 50 mm
50	870681000	Uitlooptuit links 71 mm	Outlet nozzle left 71 mm	Auslassdüse links 71 mm

10 Brewer espresso medium large



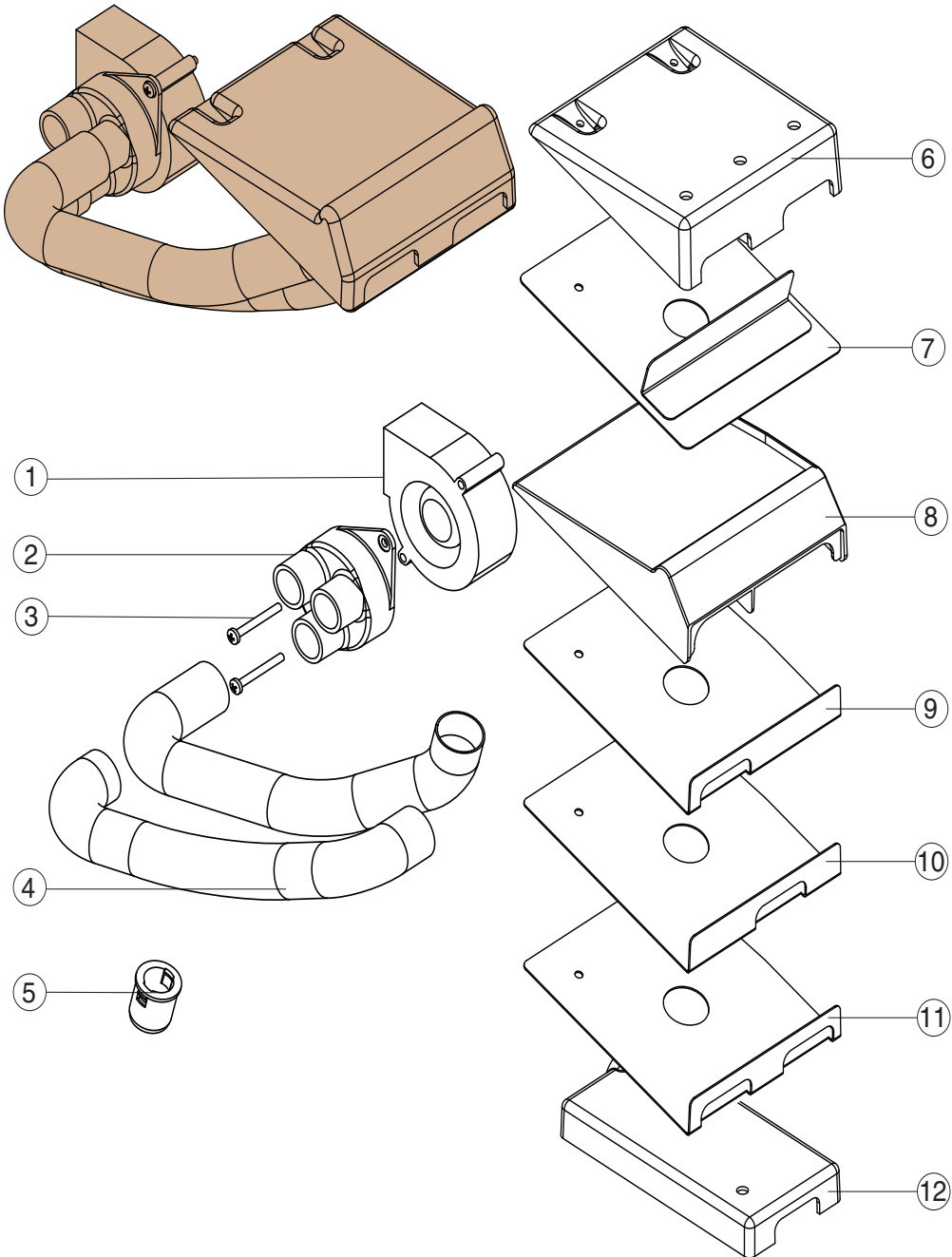
Pos.	Art. code	NL	EN	DE
A-1	UESACC00ZEE CUU0	Zetgroep (0.6mm boring) standaard	Brewer (0.6mm bore) standard	Brühgruppe (0.6mm Bohrung) Standard
A-2	UESACC00ZBE CUU0	Zetgroep (2.2mm boring) hoge flow	Brewer (2.2mm bore) high flow	Brühgruppe (2.2mm Bohrung) hoher Durchfluss
B	UESACC00ZFE CUU0	Zetgroep voor dubbele bonenmolen	Brewer for dual grinder	Brühgruppe für doppel mühle
1	869501000	Zuigerschroef M8	Piston screw M8	Kolbenschraube M8
C-1	869521000	Zuiger boven compleet (0,6mm)	Upper piston complete (0,6mm)	Kolben oben komplett (0,6mm)
C-2	869624000	Zuiger boven compleet (2,2mm) hoge flow	Upper piston complete (2,2mm) high flow	Kolben oben komplett (2,2mm) hoher Durchfluss
2	869493000	Compressie o-ring	Compression o-ring	Kompressions o-ring
3	869568000	Slangpilaar	Hose grommet	Steckanschluss gerade
4	869408000	Zuiger o-ring	Piston o-ring	Kolben o-ring
5	869516000	Borgring 6mm	Lockwasher 6mm	Sicherungsscheibe 6mm
6	870620000	Tandriem unit 3	Timing belt unit 3	Zahnflachriemen unit 3
7	870619000	Tandwiel	Drive gear	Zahnscheibe
8	869509000	Borgring 22mm	Spring washer 22mm	Sicherungsring 22mm
9	869512000	Kogellager	Ball bearing	Rillenkugellager
10	869497000	Spindel aandrijf links	Spindle drive left	Gewindespindel Antrieb links
11	869498000	Spindel aangedreven rechts	Spindle driven right	Gewindespindel getrieben rechts
12	871271000	Afstandring	Spacerring	Rondelle
13	869489000	Schroef inbus M5x12	Hex screw M5x12	Inbusschraube M5x12
14	869490000	Sluitring	Washer	U-Scheibe
D	869522000	Bonengeleider compleet	Beanchute complete	Bohnenrutsche komplett
15	869407000	Bonengeleider	Bean chute	Bohnenrutsche
16	869452000	Gewicht geleider	Weight	Gewicht zu Rutsche
E	869514000	Zuigeronder compleet	Lower piston complete	Kolben unten komplett
17	869494000	Schroef M5x10	Screw M5x10	Schraube M5x10
18	869513000	Zuigerkap	Piston hat	Kolbenaufsatz

Pos.	Art. code	NL	EN	DE
F	S859410000	Set ringen zuiger onder	Set rings lower piston	Satz ringe kolben unten
19	869410000	Teflonring	Ring teflon	Lubro Ringdichtung
21	869042100	Koppeling M5x0.8	Fitting M5x0.8	Kupplung M5x0.8
22	869406000	Verwarmingselement zuiger	Piston heater	Kolbenheizung
G	S392001689	Slang schotdoorvoer	Tube bulkhead pass through	Schlauch Schott passieren
23	868611000	Insteekkoppeling 4mm	Barbed fitting 4mm	Schlauchtüllen 4mm
24	869549000	Slangklem 8mm	Hose clamp 8mm	Schlauchklemme 8mm
25	868690100	Slang met mantel lengte 1m	Tube with mantle length 1m	Schlauch mit Mantel länge 1m
26	869049000	Koppeling schotdoorvoer	Coupling blukhead pass through	Kupplung Schott passieren
27	869502100	Slede	Slide	Schlitten
28	869499000	Veerhouder	Spring holder	Federhalter
29	869529000	Schijf veerhouder	Shim spring holder	Unterlage Federhalter
H	870624000	Hevelsysteem compleet (plastic)	Lever system complete (plastic)	Hebelsystem komplett (kunststoff)
H	870048000	Hevelsysteem compleet (metaal)	Lever system complete (metal)	Hebelsystem komplett (Metall)
I	869520000	Veger compleet	Wiper complete	Wischer komplett
30	S392170410	Ontluchtingsventiel	Air release valve	Entlüftungsventil
31	869777000	Slangpilaar haaks	Hose grommet	Steckanschluss
32	S850205000	Ontluchtingsventiel Dual Grinder	Air release valve Dual Grinder	Entlüftungsventil Dual Grinder
J	S855375100	Motor + encoder	Motor + encoder	Motor + encoder
33	S869050000	Encoder	Encoder	Encoder
34	870490000	Brewermotor	Brewermotor	Brewermotor
35	869510100	Motorplaat	Motor bracket	Motorhalter
36	869515000	Stelschroef M5x16	Grub screw M5x16	Stiftschraube M5x16
37	869519000	Hevelas onder	Lower lever shaft	Hebelachse unten
38	869491000	Schroef inbus M5x25	Hex screw M5x25	Inbusschraube M5x25
39	869508000	Aanslag rechts	Bottom base right	Auflaufwinkel rechts



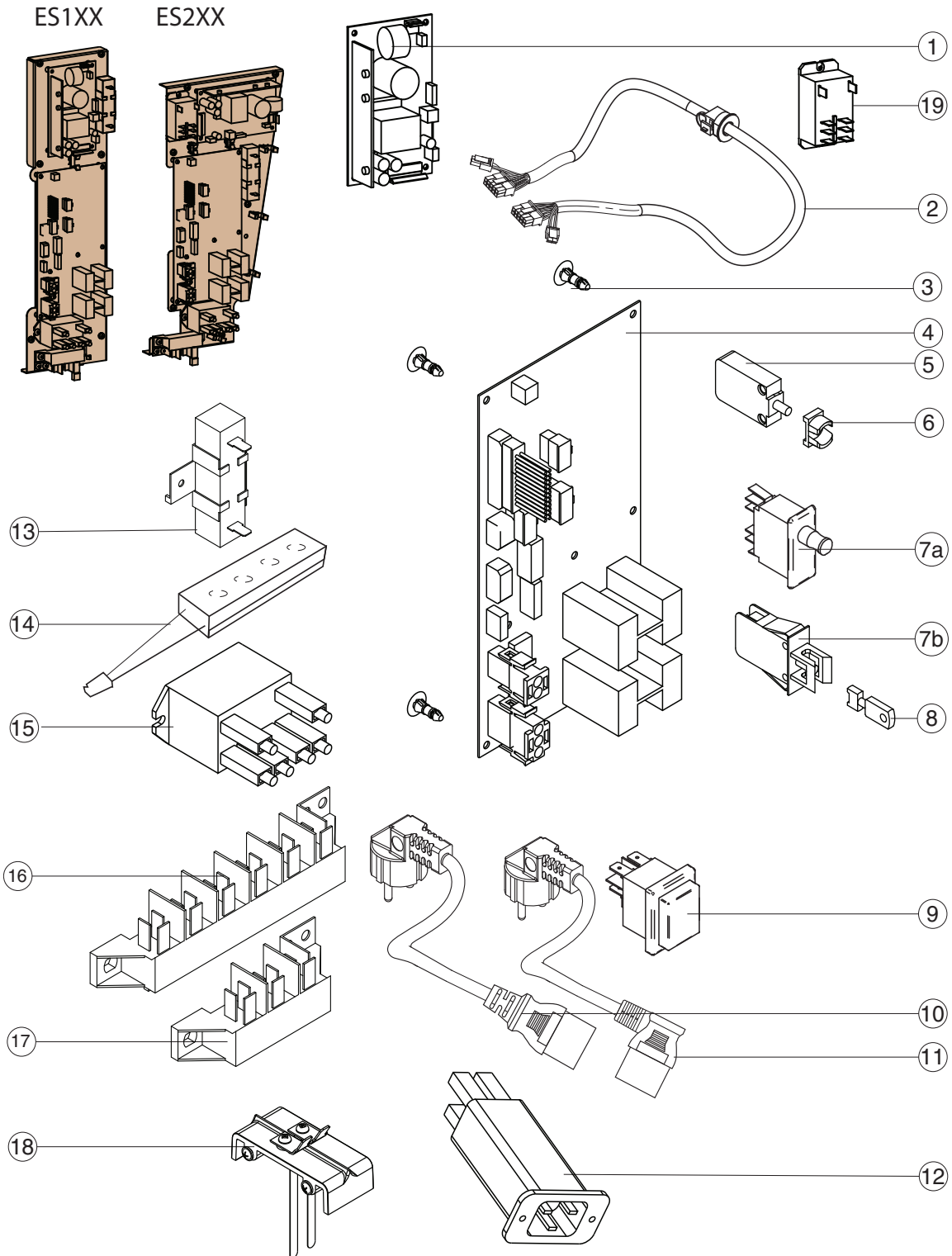
Pos.	Art. code	NL	EN	DE
40	869496000	Aanslag links	Bottom base left	Auflaufwinkel links
41	870080000	Slangpilaar	Hose grommet	Steckanschluss
42	869710000	Slangpilaar	Hose grommet	Steckanschluss
43	869066000	Slang transparant 4x6 mm (lengte 1m)	Tube transparent 4x6 mm (length 1m)	Schlauch transparent 4x6 mm (länge 1m)
44	868969000	T-stuk	T-devider	T-Stück
45	869066000	Slang zuiger 4x6 mm (lengte 1m)	Tube piston 4x6 mm (length 1m)	Schlauch kolben 4x6 mm (länge 1m)
46	565725000	Veerklem 6,1 mm	Clamp 6,1 mm	Klemme 6,1 mm
47	869039000	Kabel encoder	Cable encoder	Kabel Encoder
48	869115100	Kabel zetgroepmotor	Cable brewermotor	Kabel Brühgruppe Motor
49	S850294000	Ombouwkkit riemspan- ner	Conversion kit belt ten- sioner	Umbausatz Rie- menspanner
K	871204000	Hevel boven (kunststof)	Upper lever (plastic)	Hebel oben (Kunststoff)
50	871203000	Hevel onder (kunststof)	Lower lever (plastic)	Hebel unten (Kunstst- off)

11 Extraction fan



Pos.	Art. code	NL	EN	DE
1a	S858925000	Afzuigventilator	Extraction ventilator	Absaugventilator
1b	S869590000	Afzuigventilator stil	Extraction ventilator quiet	Absaugventilator leise
2	867416000	Kap afzuigventilator	Cap extraction ventilator	Deckel absaugventilator
3	965462000	Schroef M4x35	Screw M4x35	Schraube M4x35
4	965253200	Slang 22mm (lengte 1m)	Hose 22mm (length 1m)	Schlauch 22mm (Länge 1m)
5a	868407000	Slangaansluiting groen	Hose connection green	Schlauchanschluss grün
5b	966349300	Slangaansluiting zwart	Hose connection black	Schlauchanschluss schwarz
6	869412000	Afzuigbak ES132	Extractor box ES132	Extraktorbox ES132
7	869015000	Plaat afzuiging	Plate extractor	Plattenextraktor
8	870217000	Afzuigbak	Extractor box	Extraktorbox
9	870218000	Plaat afzuiging EL122	Plate extractor EL122	Plattenextraktor EL122
10	870219000	Plaat afzuiging ES121	Plate extractor ES121	Plattenextraktor ES121
11	870506000	Plaat afzuiging ES122	Plate extractor ES122	Plattenextraktor ES122
12	870693000	Afzuigbak ES211 / ES221	Extractor box ES211 / ES221	Extraktorbox ES211 / ES221

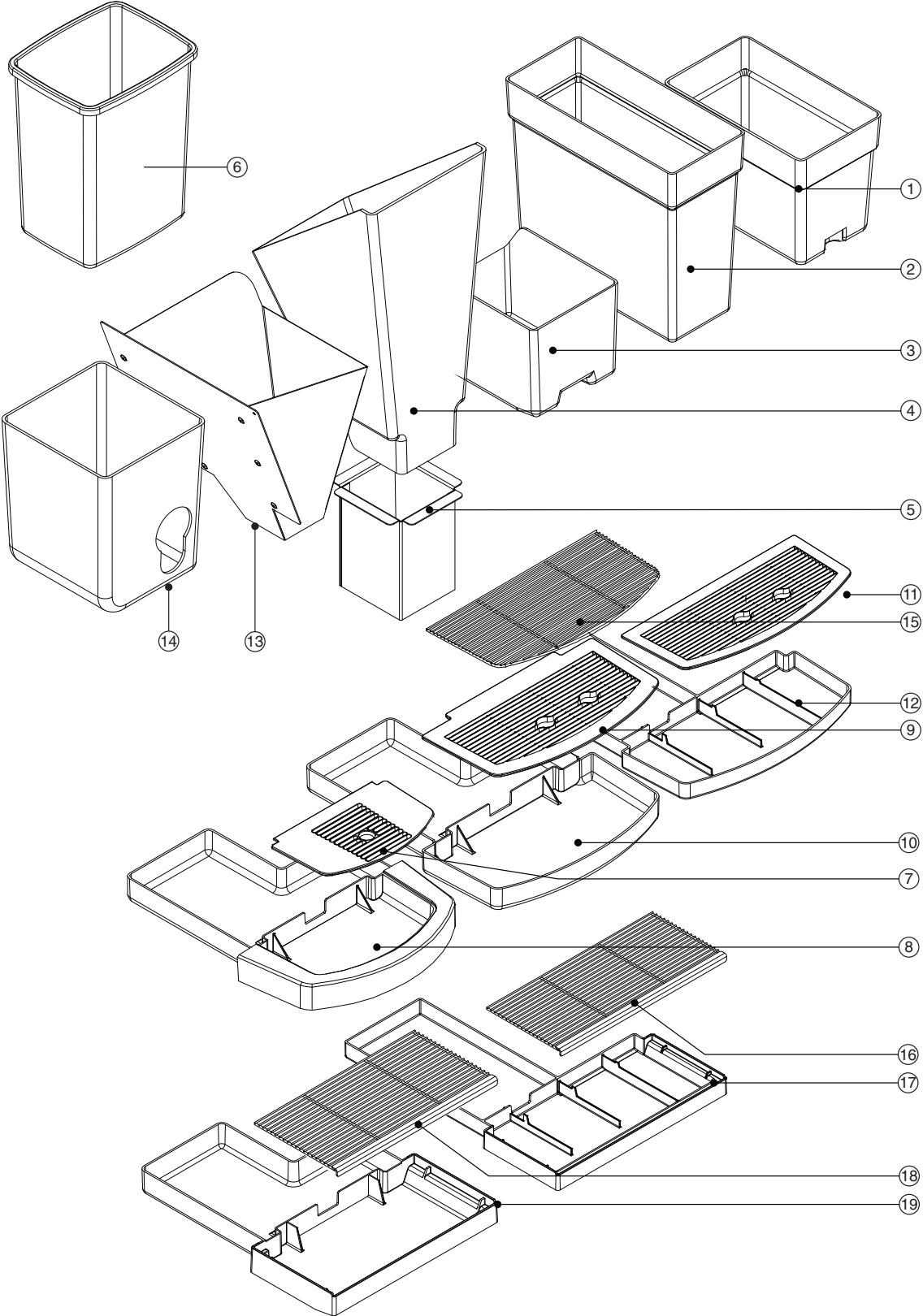
12 Electronic parts



Pos.	Art. code	NL	EN	DE
1	870325000	Voedingsprint	Power supply	Netzteil
2a	869321100	Kabel main-UI Medium (1220 mm)	Cable main-UI Medium (1220 mm)	Kabel main-UI Medium (1220 mm)
2b	869678100	Kabel main-UI Medium TFT	Cable main-UI TFT Medium	Kabel main-UI Medium TFT
2c	859322100	Kabel main-UI Large (1800 mm)	Cable main-UI Large (1800 mm)	Kabel main-UI Large (1800 mm)
2d	870665000	Kabel main-UI TFT Large (2100 mm)	Cable main-UI TFT Large (2100 mm)	Kabel main-UI TFT Large (2100 mm)
3	865334100	Printsteun	PCB support	PCB-Unterstützung
4a	S959044108	PCB Main + software Mundo EU	PCB Main + software Mundo EU	PCB Main + software Mundo EU
4b	S958139108	PCB Main + software Mundo Nordic	PCB Main + software Mundo Nordic	PCB Main + software Mundo Nordic
4c	867517300	PCB Main + Bootloader Dorado/Tucana	PCB Main + Bootloader Dorado/Tucana	PCB Main + Bootloader Dorado/Tucana
5	865242000	Interlock schakelaar Large	Interlock switch Large	Verriegelungsschalter Large
6	865179100	Interlock beugel Large	Interlock bracket Large	Verriegelungshalterung Large
7a	867531000	Interlock schakelaar Wit (oude versie)	Interlock switch White (old version)	Verriegelungsschalter Weiß (alte Version)
7b	961044700	Interlock schakelaar Medium	Interlock switch Medium	Verriegelungsschalter Medium
8	965285300	Service sleutel	Service key	Serviceschlüssel
9	965814000	Schakelaar AAN-UIT	Switch ON-OFF	Schalter ON-OFF
10a	866589000	Aansluitsnoer 16A EU	Power cord 16A EU	Netzkabel 16A EU
10b	867318000	Aansluitsnoer 16A GB	Power cord 16A GB	Netzkabel 16A GB
11	869799000	Aansluitsnoer 16A Haaks EU	Power cord 16A right angle EU	Netzkabel 16A Winkel EU
12	866958000	Netfilter 16A	Mains filter 16A	Netzfilter 16A
13	869031000	Vermogensbegrenzer	Power restrictor	Leistungsbegrenzer
14	869052200	Led verlichting	Led lighting	LED-Beleuchtung
15	865983000	Relais	Relais	Relais
16	369159200	Aansluitblok 6 polig	Connecting frame 6 pole	Verbindungsrahmen 6-polig
17	865819000	Aansluitblok 3 polig	Connecting frame 3 pole	Verbindungsrahmen 3-polig

Pos.	Art. code	NL	EN	DE
18a	S392001461	Lekbak sensor (L = 64 mm)	Drip tray sensor (L = 64 mm)	Tropfschalensensor (L = 64 mm)
18b	S855051000	Lekbak sensor (L = 49 mm)	Drip tray sensor (L = 49 mm)	Tropfschalensensor (L = 49 mm)
19	870703100	Relais dubbele bonen	Relais dual grinder	Relais Doppel Mühle

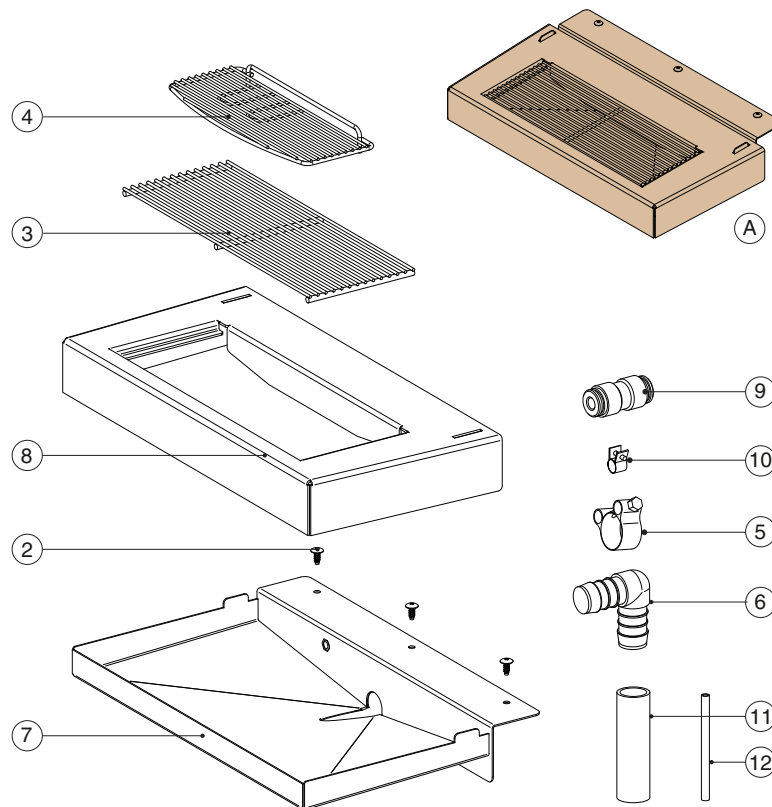
13 Wastebins and driptrays



Pos.	Art. code	NL	EN	DE
1	870630000	Afvalbak Medium	Waste container Medium	Abfallbehälter Medium
2	870543000	Afvalbak Large	Waste container Large	Abfallbehälter Large
3	870653000	Afvalbak dubbele bonen	Waste container double beans	Abfallbehälter Doppelbohnen
4a	869180000	Afvaltrechter Medium	Waste shute Medium	Abfallschleuse Medium
4b	870636000	Afvaltrechter Large	Waste shute Large	Abfallschleuse Large
4c	869421000	Afvalbak Liquid	Waste container Liquid	Abfallbehälter Liquid
5	868524100	Werkbladdoorvoer afvaltrechter	Worktop waste shute	Abfallrutsche der Arbeitsplatte
6a	965305000	Afvalbak 10L	Waste bin 10L	Abfalleimer 10L
6b	965305200	Afvalbak 25L	Waste bin 25L	Abfalleimer 25L
7	866189000	Lekbakrooster Mundo	Drip tray grid Mundo	Tropfschalengitter Mundo
8	868373000	Lekbak Mundo	Drip tray Mundo	Tropfschalen Mundo
9	869222000	Lekbakrooster Dorado/Tucana	Drip tray grid Dorado/Tucana	Tropfschalengitter Dorado/Tucana
10	869221000	Lekbak Dorado/Tucana	Drip tray Dorado/Tucana	Tropfschalen Dorado/Tucana
11	869224000	Lekbakrooster Dorado/Tucana Large	Drip tray grid Dorado/Tucana Large	Tropfschalengitter Dorado/Tucana Large
12	869223000	Lekbak Large	Drip tray Large	Tropfschalen Dorado/Tucana Large
13	870656000	Afvaltrechter dubbele bonen	Waste shute double beans	Abfallschleuse für Doppelbohnen
14	869179000	Container Liquid	Container Liquid	Behälter Liquid
15	870882000	Lekbakrooster Dorado/Tucana medium	Drip tray grid Dorado/Tucana medium	Tropfschalengitter Dorado/Tucana medium
16	871202000	Lekbakrooster Premium Large	Drip tray grid Premium Large	Tropfschalengitter Premium Large
17	871201000	Lekbak Premium Large	Drip tray Premium Large	Tropfschalen Premium Large
18	871123000	Lekbakrooster Premium Medium	Drip tray grid Premium Medium	Tropfschalengitter Premium Medium
19	871120000	Lekbak Premium Medium	Drip tray Premium Medium	Tropfschalen Premium Medium



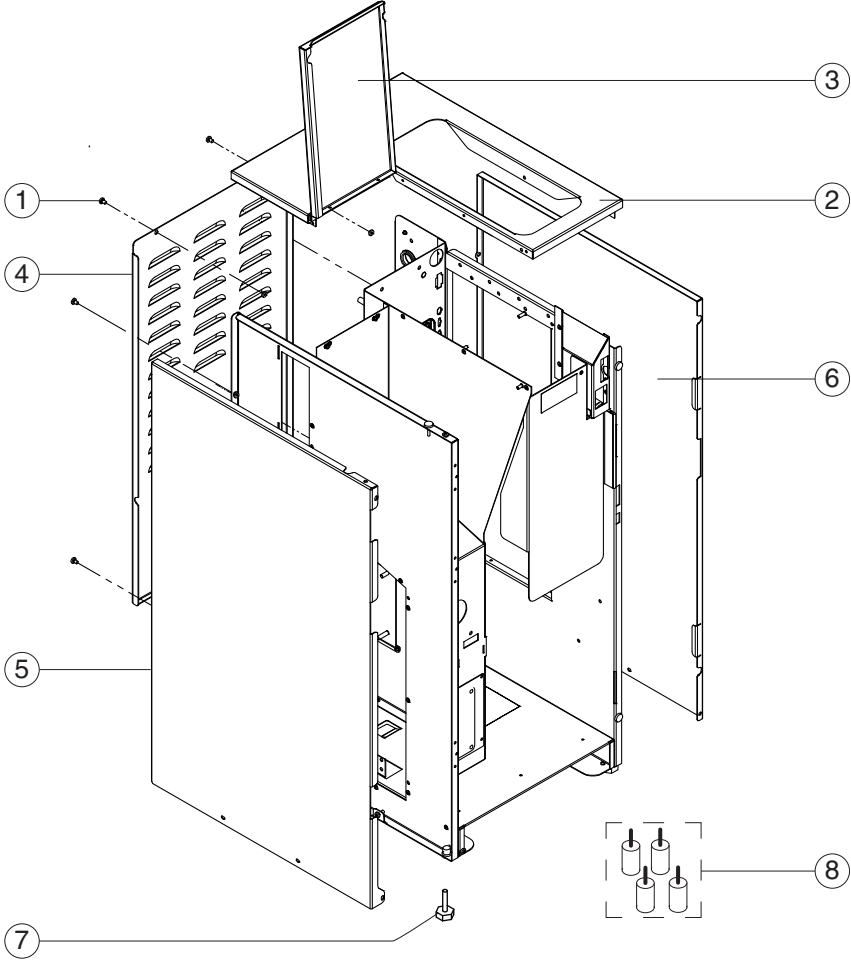
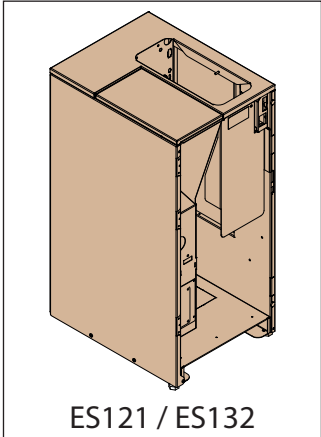
## 13.1 Drip tray drains

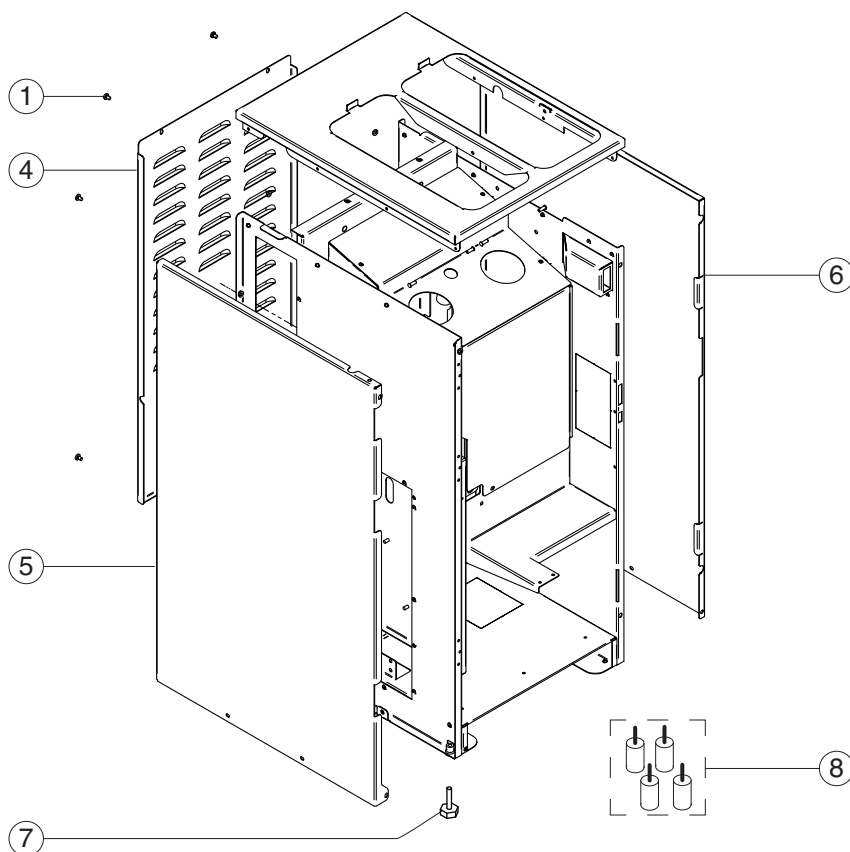
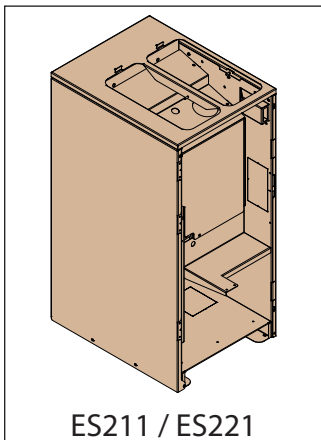


Pos	Art. code	NL	EN	DE
A	DESACCB0LAEC UU0	Lekbakdoorvoer Espresso Medium	Drip tray drain Espresso Compact	Tropfschale Abfluss Espresso Medium
2	967867000	Schroef M4 x 10	Screw M4 x 10	Schraube M4 x 10
3	870839000	Draadrooster lekbak	Wiregrid drip tray	Drahtgitter Tropf- schale
4	870829000	Draadrooster beker- treef	Wiregrid cupholder	Drahtgitter Becher- halter
5	870752000	Slangklem 25mm	Hose clamp 25mm	Schlauchklemme 25mm
6	870751000	Slangpilaar haaks 19mm	Connector angled 19mm	Anschlussstück Win- kel 19mm
7	870664001	Lekbak Medium	Drip tray Medium	Tropfschale Medium
8	870666001	Plaat doorvoer M edium	Coverplate drip tray Medium	Abdeckung Tropf- schale Medium
9	870391000	Insteekkoppeling	Plug-in connector	Steckkupplung
10	869549000	Slangklem 8 mm	Hose clamp 8 mm	Schlauchklemme 8 mm

Pos	Art. code	NL	EN	DE
11	870750000	Slang transparant 25mm (L = 1000 mm)	Hose transparent 25mm (L= 1000 mm)	Schlauch transparent 25mm (L= 1000 mm)
12	967242000	Slang zwart 8mm (L = 100 mm)	Hose black 8mm (L = 100 mm)	Schlauch Schwarz 8mm (L =100 mm)

14 Sheeting and chassis





Pos.	Art. code	NL	EN	DE
1a	965485000	Schroef M4	Screw M4	Schraube M4
1b	367622500	Tandveerring M4	Serrated Washer M4	Zahnring M4

Pos.	Art. code	NL	EN	DE
2	870604001	Bovenplaat + scharnieren	Top plate + hinges	Deckplatte + Scharniere
3	869003001	Deksel bovenplaat	Lid top plate	Deckel Deckplatte
4	869014001	Achterpaneel	Back panel	Back panel
5	866529401	Zijpaneel links	Side panel left	Seitenwand links
6	869001101	Zijpaneel rechts	Side panel right	Seitenwand rechts
7	965373101	Stelvoet M6	Adjustable foot M6	Verstellbarer Fuß M6
8	U00ACCB0RLE CUU0	Verhogingspoten zwart 50mm (Set 4 stuks)	Extension feet black 50mm (Set 4 pieces)	Fußerhöhung Schwarz 50 mm (Satz 4 Stück)