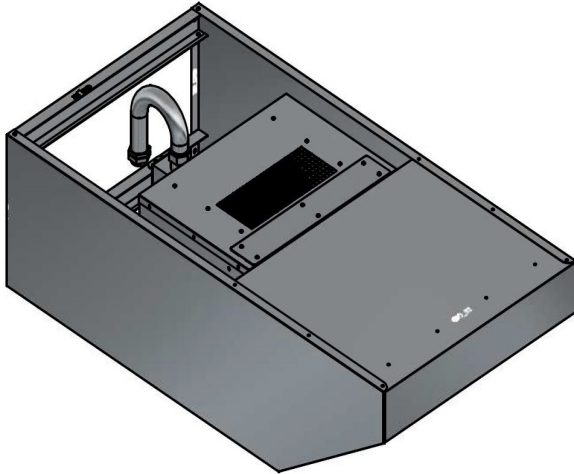


CONDENSATION HOOD OVENS



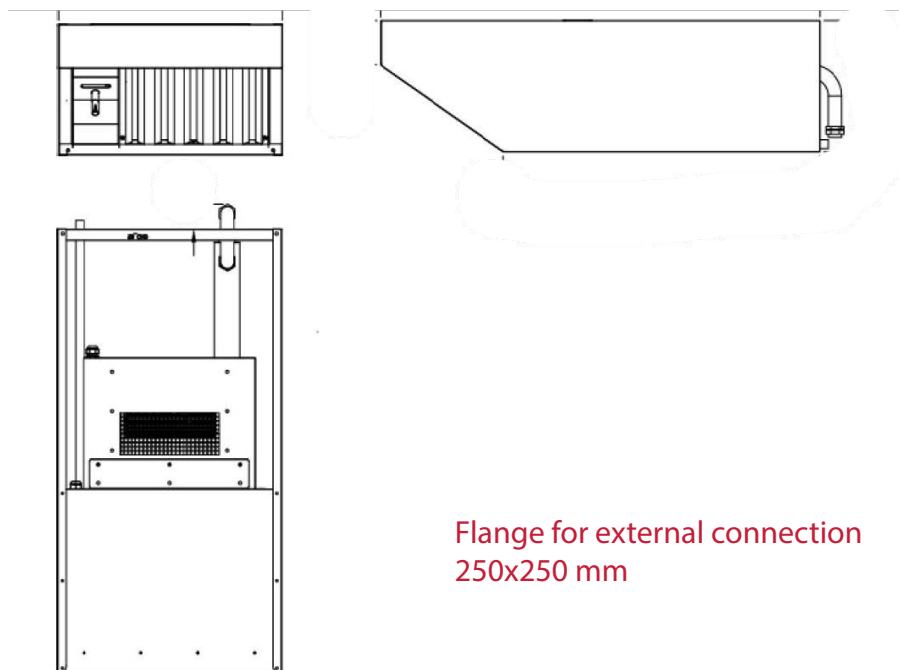
- Steel AISI 304 Construction exterior finish type scotch-brite, complete with pipes for collecting fumes vent cell rear
- Frontal filters made in stainless steel AISI 304
- Aspirator 0.3 kw 230/1/50 Hz built in galvanized steel with stainless steel screw. Speed regulator HRH1 MF model suitable to drive single-phase asynchronous motors automatically according to the percentage of humidity detected. At power on, the controller enters in the learning phase and occurs for about 1 minute to 80volt (minimum speed) In the absence of steam the fan keeps the minimum set speed, every increase of relative humidity (such as the opening of the door of the oven), the fan automatically increases the speed. After the hood has aspirated the steam, fan returns to minimum speed.
- Internal condensation element aluminium made
- WIRING Fan/ controller/ switch with a cable to get out of the hood
- Technical compart to insertion carbon filters (optional)

TECHNICAL DETAILS

Dimensions (mm)	957x1023x272
Volume (m³)	0,7
Weight (kg)	40

ELECTRICAL CONNESION

kW	0,6
Power Supply	VAC 230/1N - 50hz



Flange for external connection
250x250 mm