



WD-213 OPTIFLOW

RACK CONVEYOR DISHWASHER



FEATURES

- User-friendly – Ergonomically designed to provide a good working environment
- The WD-Touch display guides you through the washing process with an intuitive touch screen. Easy navigation with built-in user manuals.
- Low operating costs and a reduced environmental impact
- OPTIFLOW-functions:
 - Provides superior control of the dish process
 - Washes and rinses no empty spaces
 - Optimised rinsing water consumption from 0.9 litre of rinsing water per basket regardless of capacity
 - Optimum use of rinsing water with unique double feed
- Triple rinse for reduced final rinse water consumption
- Excellent wash results – Long washing zones with powerful pumps
- Long service life and easy servicing – Made entirely of stainless steel
- Improved hygiene with vertical self emptying wash- and rinse pumps
- Choice of 6 different contact times
- Electrical connection of PRE-RINSE by the dishwasher
- PRE-RINSE using excess water from the dishwasher
- Electricity and water connections from top
- Drain integrated in the machine for easy cleaning and draining
- ECO-FLOW – condensing unit with heat recovery by the exhausted steam
- Wash arms in stainless steel, with quick fit/removal function. Easily cleaned and without endcovers
- Removable doors for the periodical cleaning
- Timer start, machine ready for wash
- Easy servicing - the machine is serviced from the front
- Single lever for emptying the tanks, automatic closing of tanks when refilling is starting
- Monitoring system of the machine's various functions
 - Panel which displays the information
- Web Tool with HACCP documentation
- Contactor* for entry and exit conveyor

*Note! It's always necessary to specify the motor power of the conveyor. If not specified, protective motor switch of 0,63-1A will be delivered.

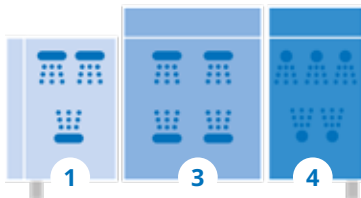
OPTIONS

- Pre-rinse zone L=400 mm
- Drying zone WD-T60 L=600 mm, insulated. Power 3,3 kW.
 - Stand with grid shelf
 - Stand with plane shelf
- Drying zone WD-T80, to turn track L=820 mm, insulated, for connection to the machine together with 90°/180° bar-fed or machine driven WD turn track. Power 3,3 kW.
- Double drying zone WD-T90 L=900 mm, insulated. With stand. Power 6,6 kW.
 - Grid shelf
 - Plane shelf
- Divided between machine and drying zone
- 230V/3/50Hz
- Marine version and other voltage selection on request
- Steam heated design, steam pressure 50-149 kPa
- Steam heated design, steam pressure 150 - 250 kPa
- Break tank included with booster pump
- Booster heater 12 kW for re-circulating final rinse
- RO-water connection
- Stainless pipes and couplings in final rinse
- Cold water connection
- Water connection from floor
- Timer for pre-rinse
- Timer for through-rinse
- Timer for chain-rinse
- Contactor for control of pre-rinse without timer
- Contactor for pre-rinse with booster pump
- Connection power restriction for example Sicotronic
- External power indication
- Auto self cleaning of wash zone
- Auto self cleaning of condens batteri
- Auto self cleaning of wash zone + condens batteri
- Web Tool with HACCP documentation for cost- and consumption report
- Possibility to interlock the booster heater

EXTRA EQUIPMENT

- Conduit for connection cable, L=1200 mm

WASHING ZONES



Zone	Zone length in mm
WD-213	
1 Loading hood	170
2 Pre-wash without intermediate rinse	600
3 Chemical wash	900
4 Triple final rinse	585
Length	2255 *

* Installation dimensions at bench height.

TECHNICAL DATA	WD-213
Pump, pre-wash (kW)	1.5
Pump, chemical wash 1 (kW)	1.5
Pump, chemical wash 2 (kW)	-
Pump, chemical wash 3 (kW)	-
Pump, recirculating final rinse (kW)	0.11
Fan, heat recovery (kW)	0.12
Motor, feeder (kW)	0.12
Booster heater 1 (kW)	12*
Booster heater 2 (kW)	12
Heater, chemical wash 1 (kW)	12
Heater, chemical wash 2 (kW)	-
Heater, chemical wash 3 (kW)	-
Heat recovery unit, cooling area (m ²)	25
Fan heat recovery, capacity (m ³ /h)	100
Tank volume, pre-wash tank (litres)	51
Tank volume, wash tank 1 (litres)	100
Tank volume, wash tank 2 (litres)	-
Tank volume, wash tank 3 (litres)	-
Tank volume, final rinse tank (litres)	6
Weight, dishwasher in operation (kg)	625
Degree of protection (IP)	55

* Interlocked if needed, see capacity

CAPACITY AND OPERATING DATA	WD-213
Capacity normal wash (baskets/h)	100-200*
Capacity according to DIN 10510 (baskets/h)	120
Max capacity interlocked booster heater (baskets/h)	200
Cold water consumption, final rinse normal (litres/basket)**	1.2
Energy consumption (% of connected power)	70-90%
Steam consumption*** (kg/h)	60
Environmental temperature at 20°C room temperature (°C)	35
Sound level**** (dB(A))	68

* Maximum capacity 260 baskets/h.

** In combination with the PRM the water consumption is further lowered with 0.1 litre

*** For steam-heated dishwasher

**** Measured 1 metre from the side of the machine

CONNECTION, ELECTRICALLY HEATED DISHWASHER	WD-213
Total connected power (kW) interlocked booster heater (kW)*	28.1
Total connected power (kW)	40.1
Main fuse 400V 3N~(A)**	63
Max. connection area 400V 3N~(L1-L3, N, PE) Cu (mm ²)	35

* See capacity

** Other voltages on request

CONNECTION, STEAM-HEATED DISHWASHER 150-250 KPA*	WD-213
Total connected power (kW)	3.4
Main fuse 400V 3N~(A)	20
Max. connection area 400V 3N~(L1-L3, N, PE) Cu (mm ²)	25
Steam connection (internal thread)	R ¾"
Condensation connection (internal thread)	R ½"

* Other pressures on request.

CONNECTION, WATER, DRAIN AND VENTILATION	WD-213
Water quality, hardness (°dH)	2-7
Hot water connection 50-65°C (internal thread)	R ½"
Cold water connection 5-12°C (internal thread)	R ½"
Drain connection, PP pipe (ø mm)	50
Water capacity, pressure (kPa)	250-600
Water capacity, flow (litres/min)	11
Floor drain, capacity (litres/sec)	3
Heat load to the room (total, sensible, latent) (kW)	9.0 / 5.3 / 3.7

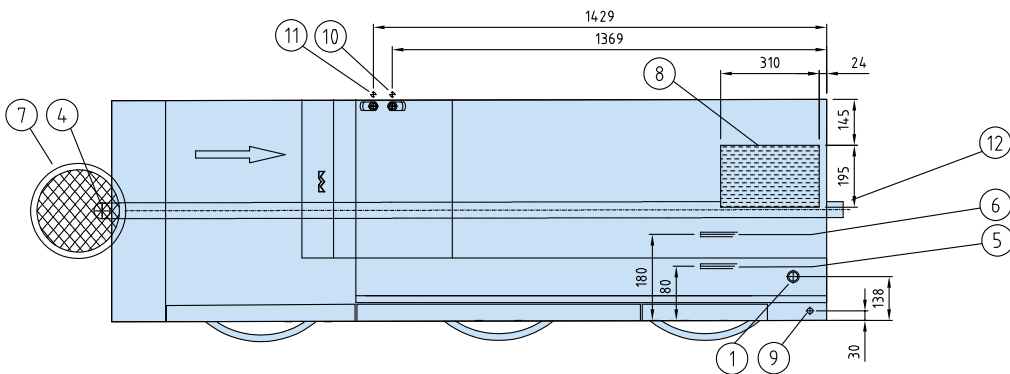
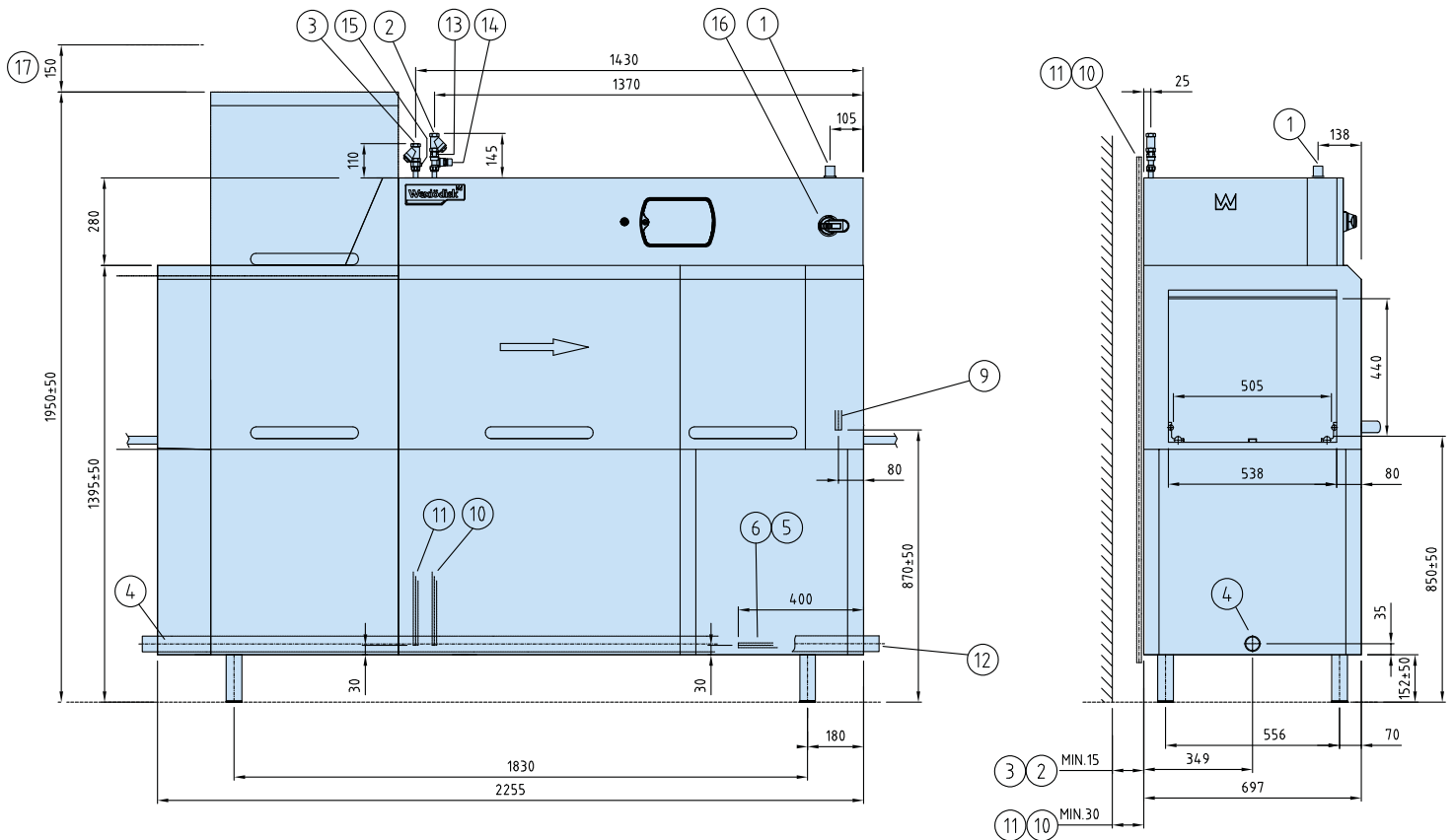
SIZE AND WEIGHT FOR TRANSPORT, STANDARD DISHWASHER*	WD-213
Size** (LxWxH (m))	2.7x0.8x2.0
Weight** (kg)	510

* Normal delivery in 1 piece, If necessary the machine can be further dismantled

** Packaging included

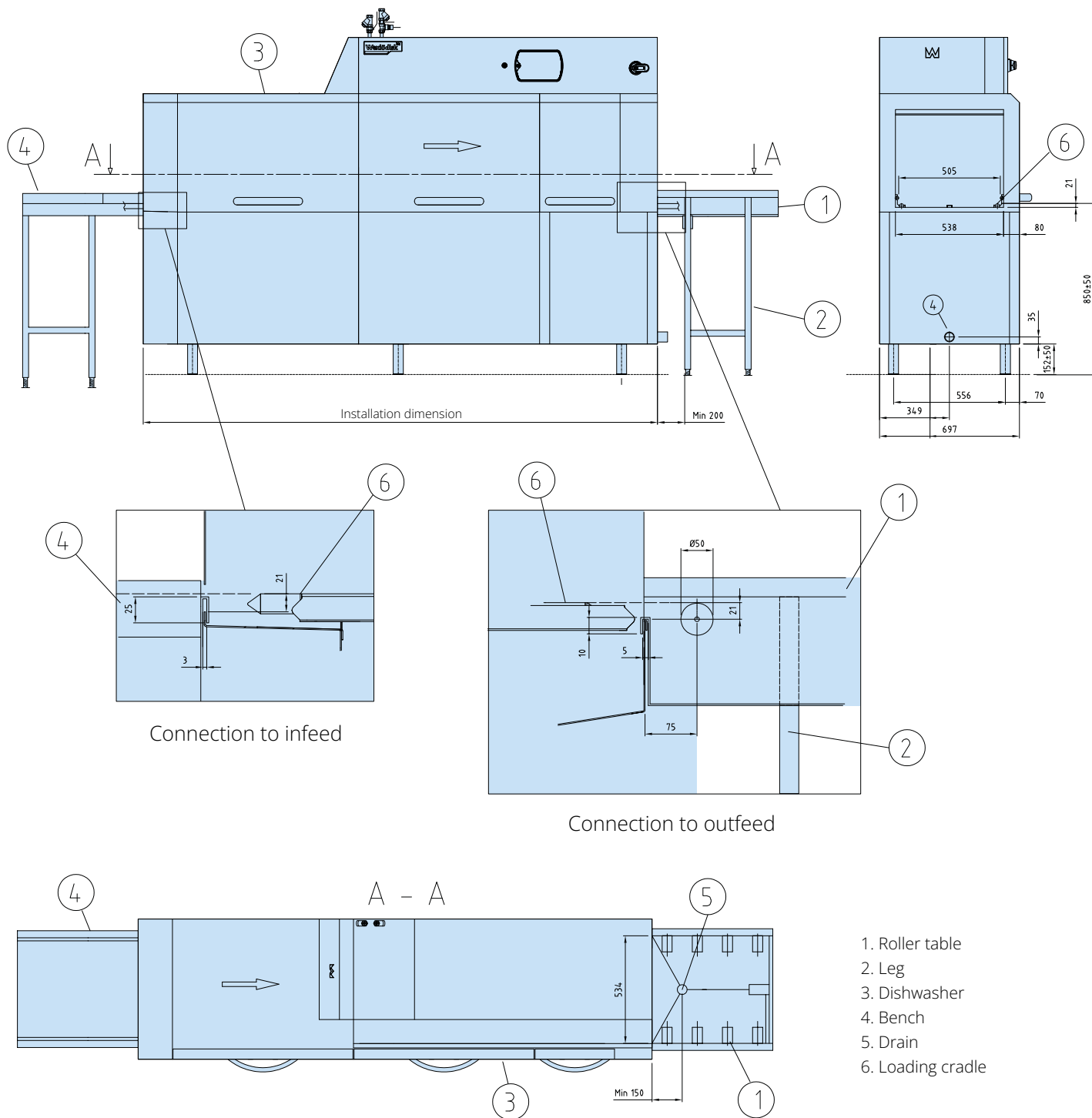
PRE WASH ZONE - TECHNICAL DATA	WD-213
Loading direction R-L, zone length mm	400
Loading direction L-R, zone length mm	400

CONNECTION, ADDITION OF DRYING ZONE	Power (kW)	Main fuse 400V 3N-(A)	Installed length (mm)
Drying zone WD-T60 + WD-213	43.4	80	600 + 2255
Drying zone WD-T90 + WD-213	46.7	80	900 + 2255
Drying zone hood WD-T80 for turn track + WD-213	43.4	80	820 + 2255
Drying zone hood WD-T60F free-standing + WD-213	43.4	80	600



1. Electrical connection
2. Cold water connection/filter R $\frac{1}{2}$ " 250-600 kPa 11 l/min
3. Hot water connection/filter R $\frac{1}{2}$ " 100-600 kPa
4. Drain connection \varnothing 50
5. Steam connection R $\frac{3}{4}$ " (331-421 R") 150-250 kPa
6. Condens water connection R $\frac{3}{4}$ "
7. Sink 3 l/sek
8. Exhaust heat recovery unit
9. Alternative electrical connection
10. Alternative cold water connection R $\frac{1}{2}$ " 250-600 kPa 11 l/min
11. Alternative hot water connection R $\frac{1}{2}$ " 100-600 kPa
12. Alternative drain connection \varnothing 50
13. Non-return valve
14. Vacuum valve
15. Output detergent dosing
16. Main switch
17. Servicing clearance

CONNECTION TO ROLLER TABLE OR BENCH



We reserve the right to change technical data.

Wexiödisk

TELEPHONE: +46 470 77 12 00 FAX: +46 470 237 52 ADDRESS: Mårdvägen 4 SE-352 45 Växjö SWEDEN
 E-MAIL: wexiodisk@wexiodisk.com WEBB: www.wexiodisk.com