



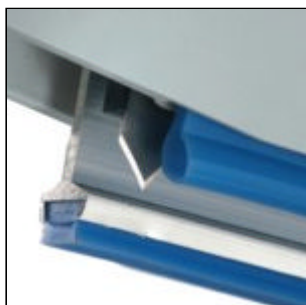
LA FELSINEA S.R.L.
 Via L. Einaudi, 47
 35016 Piazzola Sul Brenta (PD) - ITALY
 Tel. +39 049 9601602 r.a. - Fax +39 049 9601606
 E-mail: info@felsinea.com
 Website: <http://www.felsinea.com>

BRONNUM

S30 - 40 - 40C



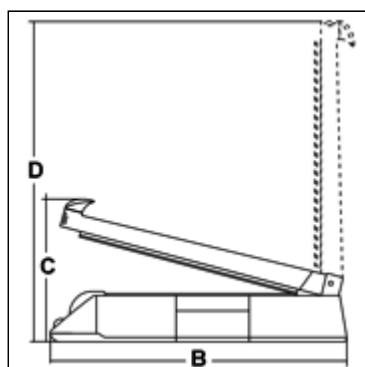
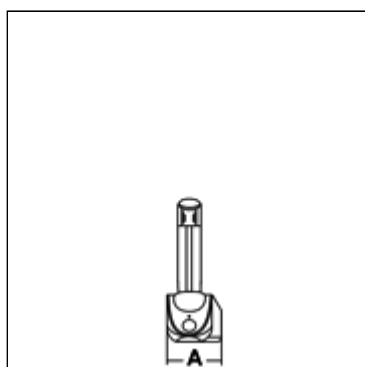
Small, handy, fast sealers, extremely useful in the food packaging. All bags of plastic for foodstuff can be sealed. Sealing bar, 2 mm wide, with 300 or 400 mm length. Adjustable timer to fit any thickness of bag. Model 40 C is also fitted with a cutter to remove the final lost part of the bag.



Cutter on model 40C



Timer for sealing time



Model	S 30	S 40	S 40 C (con taglierina)
Power	Watt 510	Watt 700	Watt 700
Sealing temperature	°C 150 max	°C 150 max	°C 150 max
Sealing time	sec min 0,5 - max 2,5	sec min 0,5 - max 2,5	sec min 0,5 - max 2,5
Sealing time	sec 1,5	sec 1,5	sec 1,5
Sealing thickness	mm 0,5	mm 0,5	mm 0,5
Sealing length	200÷300 mm	200÷400 mm	200÷400 mm

A	mm 75	mm 75	mm 75
B	455 mm	mm 555	mm 555
C	260 mm	mm 260	mm 260
D	520 mm	mm 620	mm 620
Net weight	Kg 3,5	Kg 4	Kg 4
Sealable materials	PE, PP, LDPE, PVC	PE, PP, LDPE, PVC	PE, PP, LDPE, PVC

