

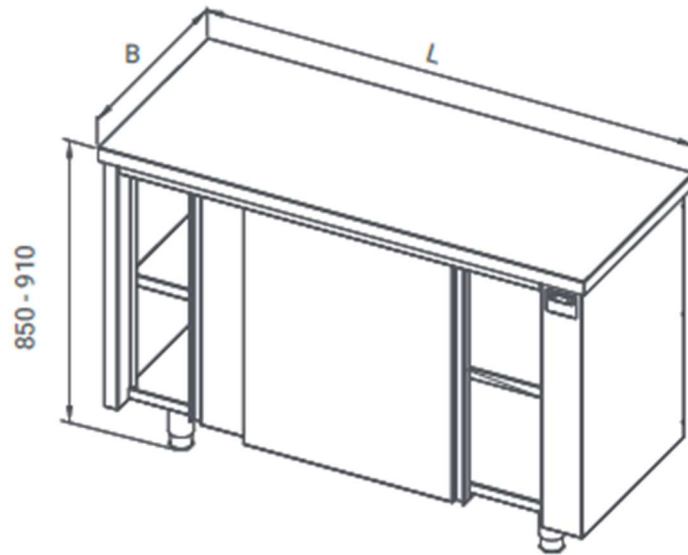


HEATED CUPBOARDS AND SHELVES

TECHNICAL SPECIFICATIONS



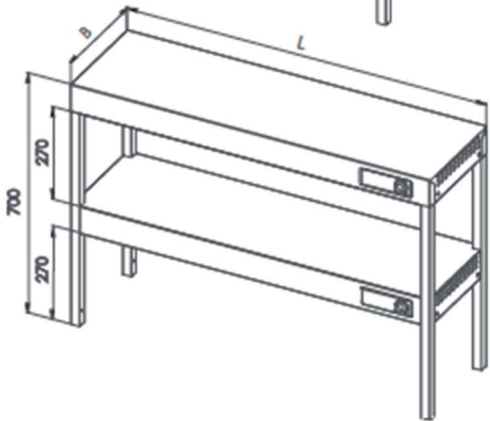
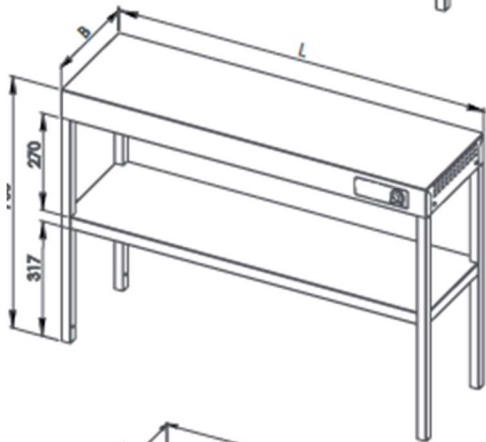
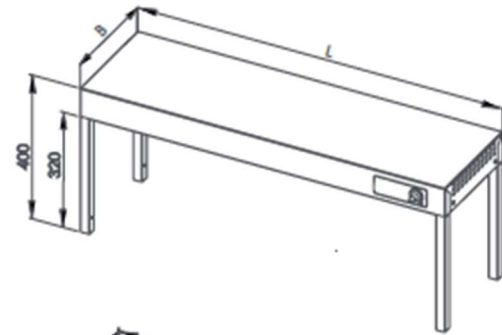
HEATED CUPBOARD



Model:	WP0-NLU
Length L, mm	1000 - 2000
Width B, mm	600, 650, 700
Working temperature (inside the cupboard):	+30 ... +85 °C
Input:	9,7 A
Power:	2200 W
Voltage/frequency:	230-240 V / 50 Hz
Weight, kg:	75 - 115 *
Operating type:	Ventilated heating

* Weight of the heated cupboard depends on its dimensions.

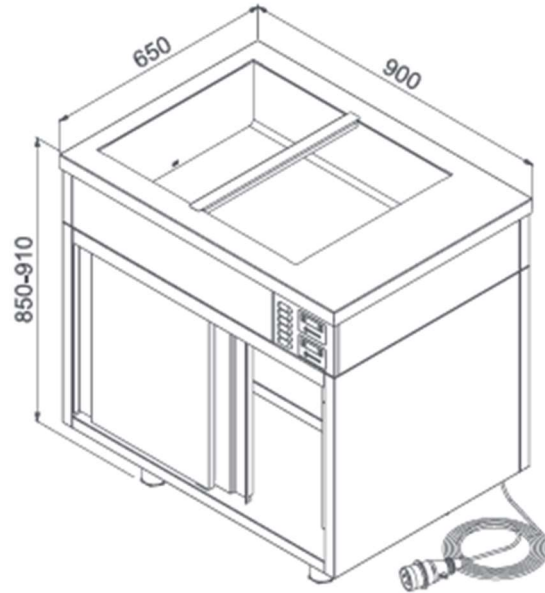
HEATED SHELF



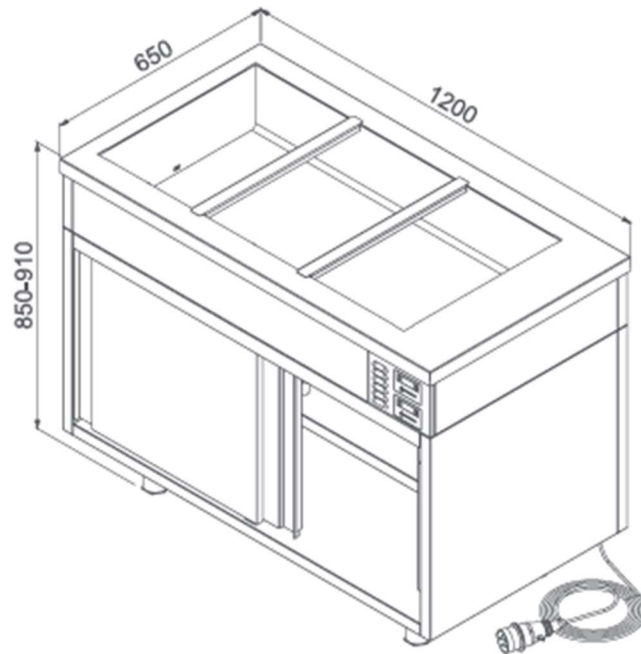
Model:	LPK1, LPK2, LPK22
Length L, mm	1000 - 2000
Width B, mm	300, 400
Max temperature of the working surface:	+65 °C
Input:	3,9 / 5,2 / 6,5 / 7,8 / 10,4 / 13 A*
Power:	900 / 1200 / 1500 / 1800 / 2400 / 3000 W*
Voltage/frequency:	230-240 V / 50 Hz
Weight, kg:	10 - 35 *
Operating type:	Shelf with double jacketed infrared light bulb 300W

* Power, input and weight of the heated shelf depends on its dimensions:

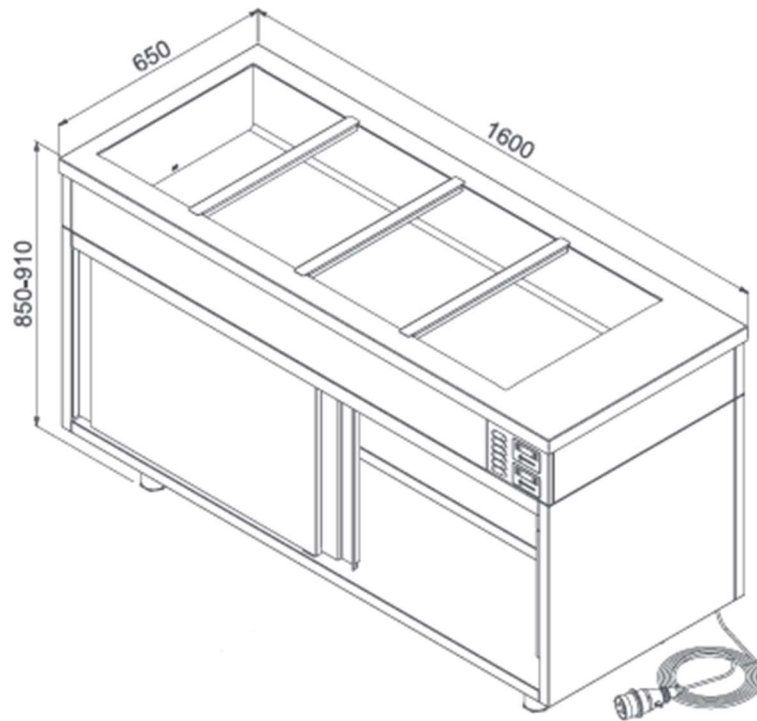
HEATED CUPBOARD WITH BAIN MARIE



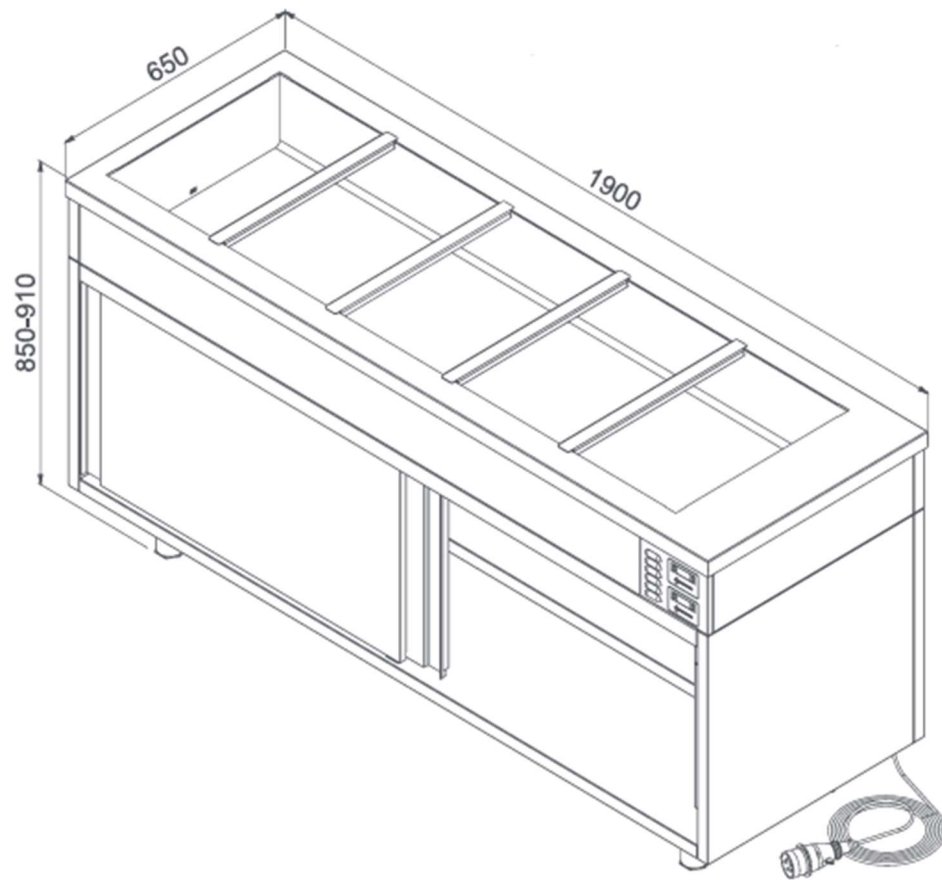
Model:	Z-WM2-NLU
Working temperature:	+30 ... +85 °C
Input:	8,8 A
Power:	3500 W
Voltage/frequency:	380-420 V/ 50 Hz
Weight, kg:	82
Operating type:	Ventilated heating



Model:	Z-WM3-NLU
Working temperature:	+30 ... +85 °C
Input:	10,7 A
Power:	4250 W
Voltage/frequency:	380-420 V/ 50 Hz
Weight, kg:	100
Operating type:	Ventilated heating



Model:	Z-WM4-NLU
Working temperature:	+30 ... +85 °C
Input:	12,5 A
Power:	5000 W
Voltage/frequency:	380-420 V/ 50 Hz
Weight, kg:	124
Operating type:	Ventilated heating



Model:	Z-WM5-NLU
Working temperature:	+30 ... +85 °C
Input:	12,5 A
Power:	5000 W
Voltage/frequency:	380-420 V/ 50 Hz
Weight, kg:	142
Operating type:	Ventilated heating