



GENERAL FEATURES

- Rack dimensions: **50x50 cm**
- Net weight: 56 Kg
- Wash cycles / racks per hour: 90"-120"-180"-9' / 40-30-20-7
- Stainless-steel wash/rinse arms easily removable
- Wash pump: 550 W
- Boiler capacity: 5 lt
- Tank capacity: 20 lt
- Boiler heating element: 4,5 kW
- Tank heating element: 2,4 kW
- Water quantity per cycle: 2,0 lt
- Useful washing height: 340 mm
- Electronic management with 6-character LED display showing boiler and tank temperatures, multicoloured start button and self-diagnostic system
- Electric rinse aid dispenser
- Backflow prevention device
- Thermostop function (hot rinse)
- Green function for energy saving
- Automatic end of day self-cleaning cycle

WATER FILTRATION

- Pre-filtering of the tank water by means of composite material filter
- Plastic wash pump filter, easily removable

BODY

- AISI 304 stainless-steel structure
- Partial double skinned body
- Preformed wash tank with rounded corners to avoid grime build-up
- Preformed rack guides
- Double walled door
- 30/10 door reinforcement brackets for extra strength
- Boiler in stainless-steel AISI 304

STANDARD EQUIPMENT

- 1 plate rack 50x50 cm
- 1 glass rack 50x50 cm
- 1 cutlery holder
- 1 inlet hose (length 2 mt)
- 1 drain hose (length 2,5 mt)

OPTIONS

- HD version (7,45 kW in 380-415V 3N~)
- Boiler heating element 6 kW (XP)
- Built-in automatic water softener (S)
- Electric detergent dispenser (DD)
- Drain pump (DP)
- Cold rinse + Drain pump (CR DP)
- KIT high feet (95÷140mm)
- KIT booster pump
- 60 Hz version

WATER TREATMENT ACCESSORIES

- Automatic water softener

ACCESSORIES

- Stainless steel stand H 550 mm
- Special racks

WATER SUPPLY CONNECTION

- **Water supply hardness:**
Water hardness between 0 and 14°f (0 ÷ 8°d)
Above 14°f (8°d) suggested water softener
- **Water supply dynamic pressure:**
Standard between 2 and 5 BAR
With built-in water softener between 2 and 4 BAR
- **Water supply temperature:**
Standard between 10 and 60°C
With built-in water softener between 10 and 25°C

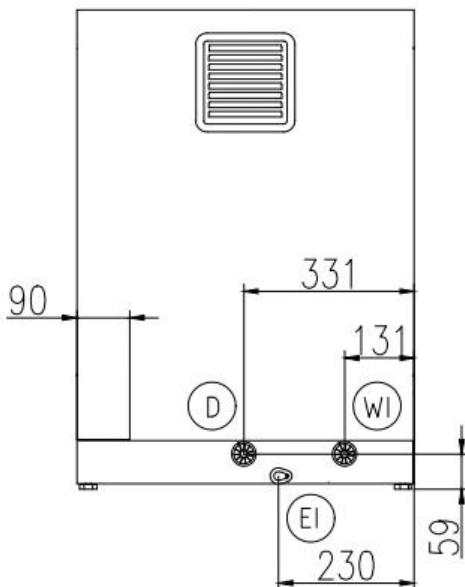
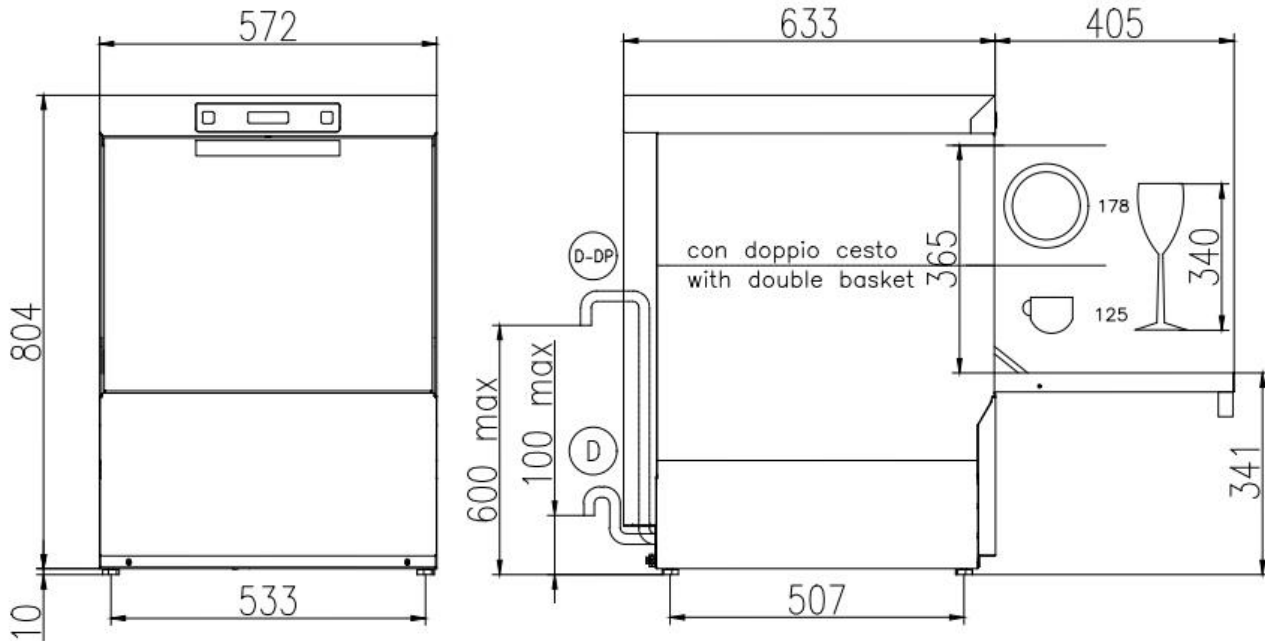
MAIN POWER SUPPLY

- The voltage of main power supply must be compatible with the rated voltage
- The machine must be connected to a suitable earth (ground) system
- Connect the machine power socket to the multi-pole wall switch provided

TECHNICAL SPECIFICATIONS

- Electrical supply: **380-415V 3N / 220-240V3 / 220-240V~ 50 Hz (MULTIPOWER)**
- Total power: **5,05 kW (7,45 kW in HD)**
- Absorbed current: **7 A / 14 A / 21 A (19 A in HD)**
- Power cord supply size: **5 x 2,5 mm² / 3 x 4 mm²**

AF 50.35 ESI



- (EI)** CAVO DI ALIMENTAZIONE
POWER CORD SUPPLY
CABLE D'ALIMENTATION
CABLE DE ALIMENTACION
- (WI)** CANNA DI CARICO G 3/4 L=2000 mm
G 3/4 INLET HOSE L=2000 mm
TUYAU D'ALIMENTATION G 3/4" L=2000 mm
TUBO DE ALIMENTACION G 3/4" L=2000 mm
- (D)** TUBO DI SCARICO ϕ 29 mm L=2500 mm
DRAIN HOSE ϕ 29 mm L=2500 mm
TUYAU DE VIDANGE ϕ 29 mm L=2500 mm
TUBO DE DESAGUE ϕ 29 mm L=2500 mm
- (D-DP)** TUBO DI SCARICO ϕ 29 mm L=2500 mm (CON POMPA SCARICO)
DRAIN HOSE ϕ 29 mm L=2500 mm (WITH DRAIN PUMP)
TUYAU DE VIDANGE ϕ 29 mm L=2500 mm (AVEC POMPE DE VIDANGE)
TUBO DE DESAGUE ϕ 29 mm L=2500 mm (CON POMPA DE DESAGUE)

	Min 10°C-MAX 60°C
	Min 10°C-MAX 25°C with energy recovery and water softner
	200÷500kPa(2÷5 Bar)
	100÷500kPa(1÷5 Bar) with atmospheric boiler
	HARDNESS 5 ÷ 14°f - 2.8 ÷ 8°d