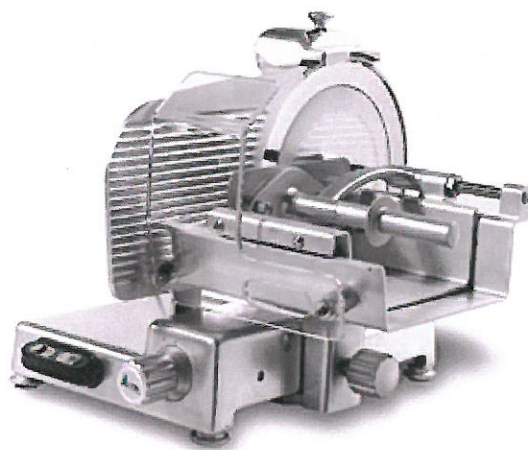


**LA FELSINEA S.R.L.**

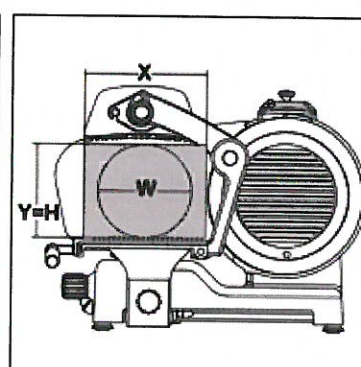
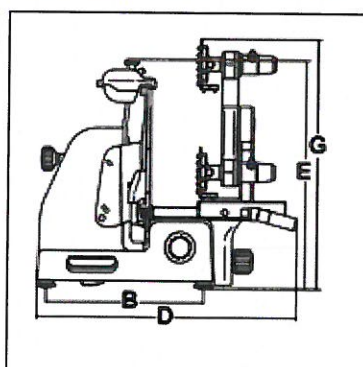
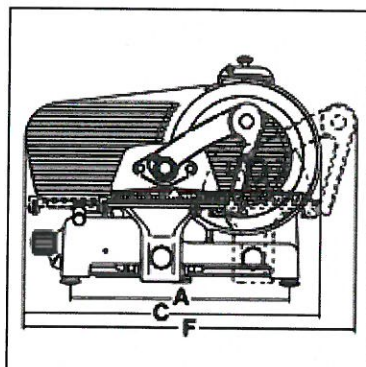
Via L. Einaudi, 47

35016 Piazzola Sul Brenta (PD) - ITALY

Tel. +39 049 9601602 r.a. - Fax +39 049 9601606

E-mail: info@felsinea.comWebsite: <http://www.felsinea.com>**Zirconia LX 300-330-350 C**

- Innovative rounded design and no sharp edges or visible screws
- Chrome plated ground and lapped slide rod
- Lapped cast iron slide rod bushing
- Vulcanised rubber stops on carriage
- Removable support cover for thickness gauge plate
- Stainless steel slice deflector with snap-on bayonet fitting
- Stainless steel screws and fittings
- Bottom cover for accessing electrical components
- Changeover electronic circuit 110-220-380 V single and three-phase
- Built-in sharpening tool with bottom protection
- Easy to remove grease guard mounted along the thickness gauge plate
- Standard blade removal tool
- Aluminium knobs
- G&B blade
- Aluminium telescopic feet with rubber base
- Stainless steel pushbuttons with IP67 protection rating
- Maintenance tool kit and demo CD
- Slicing thickness 30 mm
- Enclosed and sealed belt pulley.
- 48 mm distance between blade and motor



Model	ZIRCONIA LX 300 C	ZIRCONIA LX 330 C	ZIRCONIA LX 350 C
Power source	230V 50/60Hz F+N 400V 50/60Hz 3F	230V 50/60Hz F+N 400V 50/60Hz 3F	230V 50/60Hz F+N 400V 50/60Hz 3F
Motor	Watt 275 - HP 0,37	Watt 275 - HP 0,37	Watt 275 - HP 0,37
Blade	Ø 300 mm / 12"	Ø 330 mm / 13"	Ø 350 mm / 14"

Cut thickness	mm 30	mm 30	mm 30
Run of carriage	mm 310	mm 310	mm 310
A	468 mm	468 mm	468 mm
B	338 mm	338 mm	338 mm
C	635 mm	645 mm	660 mm
D	685 mm	685 mm	685 mm
E	500 mm	515 mm	530 mm
F	720 mm	720 mm	720 mm
G	560 mm	560 mm	560 mm
X	250 mm	250 mm	250 mm
Y	225 mm	235 mm	245 mm
H	225 mm	235 mm	245 mm
W	225 mm	235 mm	245 mm
Net weight	36 Kg	37 Kg	38 Kg
Shipping	870x840x750 mm	870x840x750 mm	870x840x750 mm
Gross weight	52 Kg	53 Kg	54 Kg

Distributore autorizzato:

OLUF BRONNUM & CO. A/S
 2730 ELLEKAER 10 () - Denmark
 tel. +45 44888400 fax. +45 44921328